

Pfaff
Mauser Spezial 2000

PFAFF[®]

**MAUSER
SPEZIAL**

Serie
2000

Bestandteilleliste

List of spare parts

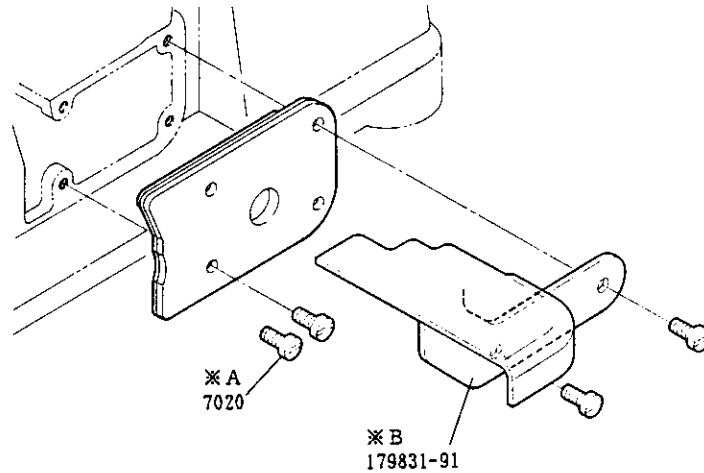
Liste de pièces détachées

Lista de piezas de repuesto

2001-721/02-293-10

*This model is modified on the 2015-430/02-233-545 by replacing old parts with new parts.

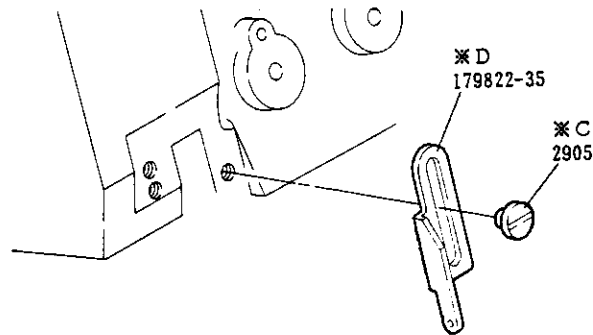
PAGE	REF No.	OLD PARTS		NEW PARTS		NAME	REMARKS
		PARTS No.	QUA.	PARTS No.	QUA.		
3	1	179370-91	1	179865-91	1	MACHINE BED (COMPLETE)	
5	3 2	179410-21	1	179864-21	1	FRONT COVER(LEFT)	
7	1	179413-91	1	179829-91	1	CLOTH PLATE	
9	1 8	8421	1			OIL MARK	
9	3 7	179707-35	1			THREAD GUIDE	
9	3 8	7018	2			SCREW	
1 1	* A			7020	2	SCREW	COVER (4)
1 1	* B			179831-91	1	AUXILIARY PLATE	COVER (4)
1 1	1	179206-05	1	179863-05	1	COVER PLATE (LEFT)	
1 1	1 1	179450-15	1			BRACKET	
1 1	1 2	7028	2			SCREW	
1 1	1 3	4324	1			SCREW	
1 1	1 5	179492-25	1			FABRIC GUIDE	
1 1	1 6	7063	2			SCREW	
1 1	2 0	212287	1			SPACER	
1 1	2 4	7069	1			SCREW	
1 3	1	202849	4			TENSION GUIDE	
1 3	2	210529-BA	1			THREAD TENSION (COMP.)(HEVY)	
1 3	1 0	210531-BA	1			THREAD TENSION (COMP.)(LIGHT)	
1 3	1 8	210530-BA	1			THREAD TENSION (COMP.)(MEDIUM)	
1 3	2 6	179701-35	1	205770	1	THREAD GUIDE	



2001-721/02-293-10

*This model is modified on the 2015-430/02-233-545 by replacing old parts with new parts.

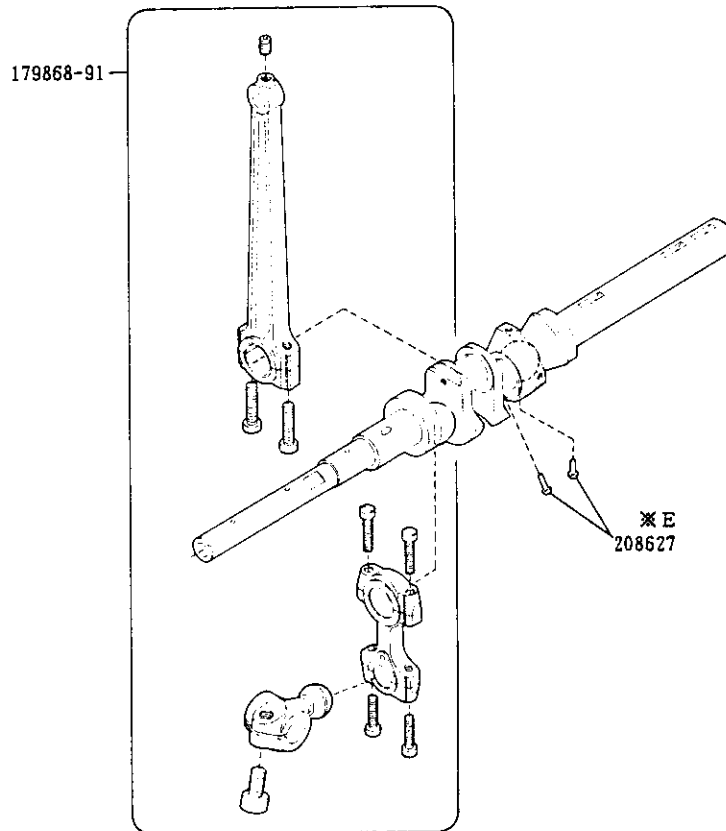
PAGE	REF No.	OLD PARTS		NEW PARTS		NAME	REMARKS
		PARTS No.	QUA.	PARTS No.	QUA.		
2 1	※C			2905	1	SCREW	THREAD TENSION
2 1	※D			179822-35	1	THREAD GUIDE	THREAD TENSION (5)
2 1	1	179636-35	1			THREAD GUIDE (LEFT)	
2 1	2	7017	1			SCREW	
2 1	3	179442-31	1			THREAD GUIDE (RIGHT)	
2 1	4	7069	1			SCREW	
2 1	5	4535	2			SCREW	
2 1	6	179446-15	1			BRACKET	
2 1	7	179581-35	1			THREAD TAKEUP	
2 1	8	7062	1			SCREW	
2 1	9	179236-35	1			THREAD GUIDE/UPPER LOOPER	
2 1	1 0	7020	1			SCREW	
2 1	1 1	179583-35	1			THREAD TAKEUP/UPPER LOOPER	
2 1	1 2	179582-35	1			THREAD TAKEUP/LOWER LOOPER	
2 1	1 4	7020	1			SCREW	
2 1	1 6	179586-35	1			THREAD GUIDE/LOWER LOOPER	
2 1	1 7	303448	1			WASHER	
2 1	1 8	7020	1			SCREW	
2 1	1 9	210353	1			THREAD GUIDE/LOWER LOOPER	
2 1	2 1	179585-35	1			THREAD GUIDE/UPPER LOOPER	
2 1	2 2	7033	1			SCREW	



2001-721/02-293-10

*This model is modified on the 2015-430/02-233-545 by replacing old parts with new parts.

PAGE	REF No.	OLD PARTS		NEW PARTS		NAME	REMARKS
		PARTS No.	QUA.	PARTS No.	QUA.		
2 3	6	179083-05	1			BALANCE WEIGHT/UPPER KNIFE	
2 3	7	7011	2			SCREW	
2 5	※ E			208627	2	OIL PLUG	UPPER KNIFE UPPER LOOPER
2 5	1	179610-91	1	179868-91	1	CRANKSHAFT (COMP.)	
2 5	3 2	179320-05	1			OIL FELT	
2 5	3 3	179321-05	1			GUIDE/UPPER LOOPER	
2 5	3 4	179329-92	1			CRANK (ASSEMBLY) /UPPER KNIFE	
2 5	3 7	179326-05	1			PIN	
2 9	1 6	7054	1			SCREW	
2 9	2 4	XXXXXX	1			SPREADER (GAUGE PARTS)	
3 1	3 3	179434-35	1	179821-35	1	THREAD GUIDE	
3 1	4 2	179629-92	1	179866-92	1	NEEDLE HOLDER (ASSEMBLY)	
3 3	1 5	210275A	1			NEEDLE GUARD (REAR)	
3 3	1 6	5492	2			SCREW	
3 3	1 7	210724	1			NEEDLE GUARD (REAR)	
3 3	1 8	7067	1			SCREW	
3 3	1 9	210930	1			SPRING WASHER	



2001-721/02-293-10

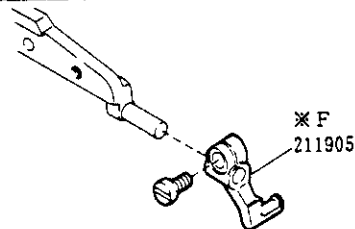
*This model is modified on the 2015-430/02-233-545 by replacing old parts with new parts.

PAGE	REF No.	OLD PARTS		NEW PARTS		NAME	REMARKS
		PARTS No.	QUA.	PARTS No.	QUA.		
4 1	1	240050	1			SPACER	
4 1	3	179084-01	1			SHAFT /UPPER LOOPER HOLDER	
4 1	4	240022	1	240223	1	PLUG	
4 1	7	179135-92	1			LEVER (ASSEMBLY)	
4 1	1 1	179136-01	1			PIN (ASSEMBLY)	
4 1	1 4	179859-91	1			UPPER LOOPER HOLDER (ASSEM.)	
4 1	1 8	179130-05	1			OIL FELT	
4 1	1 9	179132-05	1	179834-15	1	UPPER LOOPER HOLDER BASE	
4 1	2 0	179133-05	1			COVER	
4 1	2 2	7039	1			SCREW	
4 1	2 4	179238-05	2			GASKET	
4 1	3 0	202178	1			OIL WICK	
4 1	3 3	179084-01	1	179870-01	1	SHAFT /LOWER LOOPER HOLDER	
4 1	3 4	240066	1	206195	1	PLUG	
4 1	3 5	179496-92	1			LOWER LOOPER HOLDER (ASSEMB.)	
4 1	3 8	210356	1			LOWER LOOPER	
4 1	3 9	7013	1			SCREW	
5 1	3 0	210581	1	212861-16	1	MAIN FEED DOG	
5 1	4 0	210494	1	212862-16	1	DIFFERENTIAL FEED DOG	

2001-721/02-293-10

*This model is modified on the 2015-430/02-233-545 by replacing old parts with new parts.

PAGE	REF No.	OLD PARTS		NEW PARTS		NAME	REMARKS
		PARTS No.	QUA.	PARTS No.	QUA.		
5 3	1	240035-92	1			COLLAR (ASSEMBLY)	
5 3	4	179344-01	1			SHAFT/UPPER KNIFE HOLDER	
5 3	5	179339-05	1			PIN	
5 3	6	179406-05	1			UPPER KNIFE CLAMP	
5 3	8	210755	1			ANGLED KNIFE	
5 3	9	179510-15	1			WASHER	
5 3	1 0	7061	1			SCREW	
5 3	1 1	179340-15	1			UPPER KNIFE CLAMP	
5 3	1 2	179341-15	1			WASTE CHUTE	
5 3	1 3	7025	1			SCREW	
5 3	1 5	210316	1			LOWER KNIFE HOLER	
5 3	1 7	210180	1			GUIDE LOWER KNIFE HOLDER	
5 3	1 8	7026	1			SCREW	
5 3	1 9	303448	1			WASHER	
5 3	2 1	202295	1			LOWER KNIFE	
5 3	2 2	210184	1			CLAMP LOWER KNIFE	
5 3	2 3	2193	1			SCREW	
5 3	2 8	7028	1			SCREW	
5 3	2 9	202340	1			SPRING	
5 7	* F			211905	1	BRACKET PRESSER FOOT	
5 7	1 5	179546-15	1			CHAIN CUTTER	
5 7	1 6	7008	1			SCREW	
5 7	1 7	179478-15	1	179820-15	1	SPRING	
5 7	3 7	208502	1	203502	1	PRESSER FOOT COMP.	
5 7	3 9	208531	1			FABRIC GUARD	
5 7	4 0	5030	1			SCREW	
6 5	1	210685	1	179823-91	1	CLOTH GUIDE BRACKET (ASSEM.)	
6 5	1 8	201233A	1	212236	1	EDGE GUIDE	
6 7	2 5	202295	2			LOWER KNIFE	
6 8		486A91	1	486C91	1	THREAD STAND ASSEMBLY	



GAUGE PARTS LIST



MACHINE TYPE	GAUGE		NEEDLE PLATE	MAIN FEED DOG ASS.	DIFF. FEED DOG	PRESSER FOOT		UPPER LOOPER	LOWER LOOPER	401 LOOPER	UPPER KNIFE	LOWER KNIFE	NEEDLE HOLDER	CHAINSTITCH NEEDLE GUARD		NEEDLE
	NG	SW				ASSEMBLY	FAB. GRD							(FRONT)	(REAR)	
2001-721/02 293 (Z012)	--	--	212860A	212861-16	212862-16	213502	-----	-----	-----	210357A	-----	-----	179866-92	212278	212279	DCx27 #14

Achtung!

Ersatzteile bitte nur mit den im
Index aufgeführten **PFAFF-NUMMERN**
Bestellen (siehe Seiten 76 bis 81).

Important!

Veuillez commander les pièces de
rechange uniquement avec leur
référence complète précisée à
l'index (pages 76 à 81).

Important note:

For spare part orders please only
use the **PFAFF-NUMBERS** listed in
the index (pages 76 to 81).

Atencion!

Sírvanse hacer sus pedidos sólo
con los **NUMEROS-PFAFF** indicados
en el índice (véanse las
páginas 76 à 81).

TABLE OF CONTENTS

Page

MACHINE BED FRAME	2 ~ 3
COVERS (1) ~ (4)	4 ~ 11
THREAD TENSION MECHANISM (1) ~ (5)	12 ~ 21
CRANKSHAFT DRIVE MECHANISM (1) ~ (4)	22 ~ 29
NEEDLE DRIVE MECHANISM (1) ~ (5)	30 ~ 39

LOOPER DRIVE MECHANISM	40 ~ 41
CHAINSTITCH LOOPER DRIVE MECHANISM (1) ~ (2)	42 ~ 45
FEED MECHANISM (1) ~ (3)	46 ~ 51
KNIFE DRIVE MECHANISM	52 ~ 53
PRESSER FOOT MECHANISM (1) ~ (2)	54 ~ 57

LUBRICATING MECHANISM	58 ~ 59
SEMI-SUBMERGED INSTALLATION	60 ~ 61
FULLY-SUBMERGED INSTALLATION	62 ~ 63
CLOTH GUIDE	64 ~ 65
ACCESSORIES	66 ~ 67

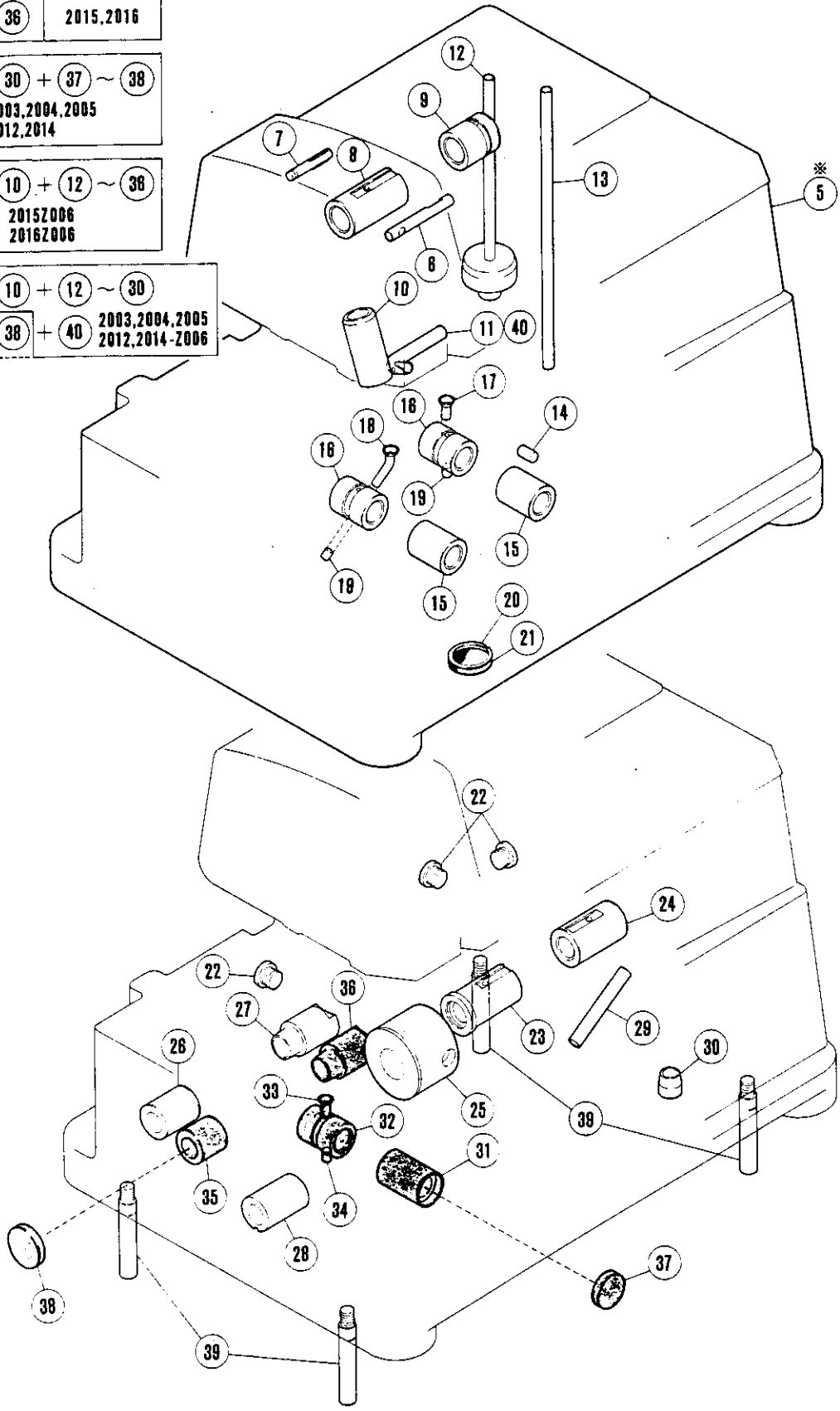
THREAD STAND	68 ~ 69
GAUGE PARTS LIST (1) ~ (6)	70 ~ 75
PART NUMBER INDEX	76 ~ 81

※ ① ⑤ ~ ③⑧ 2015, 2016

※ ② ⑤ ~ ③⑩ + ③⑦ ~ ③⑧
2003, 2004, 2005
2012, 2014

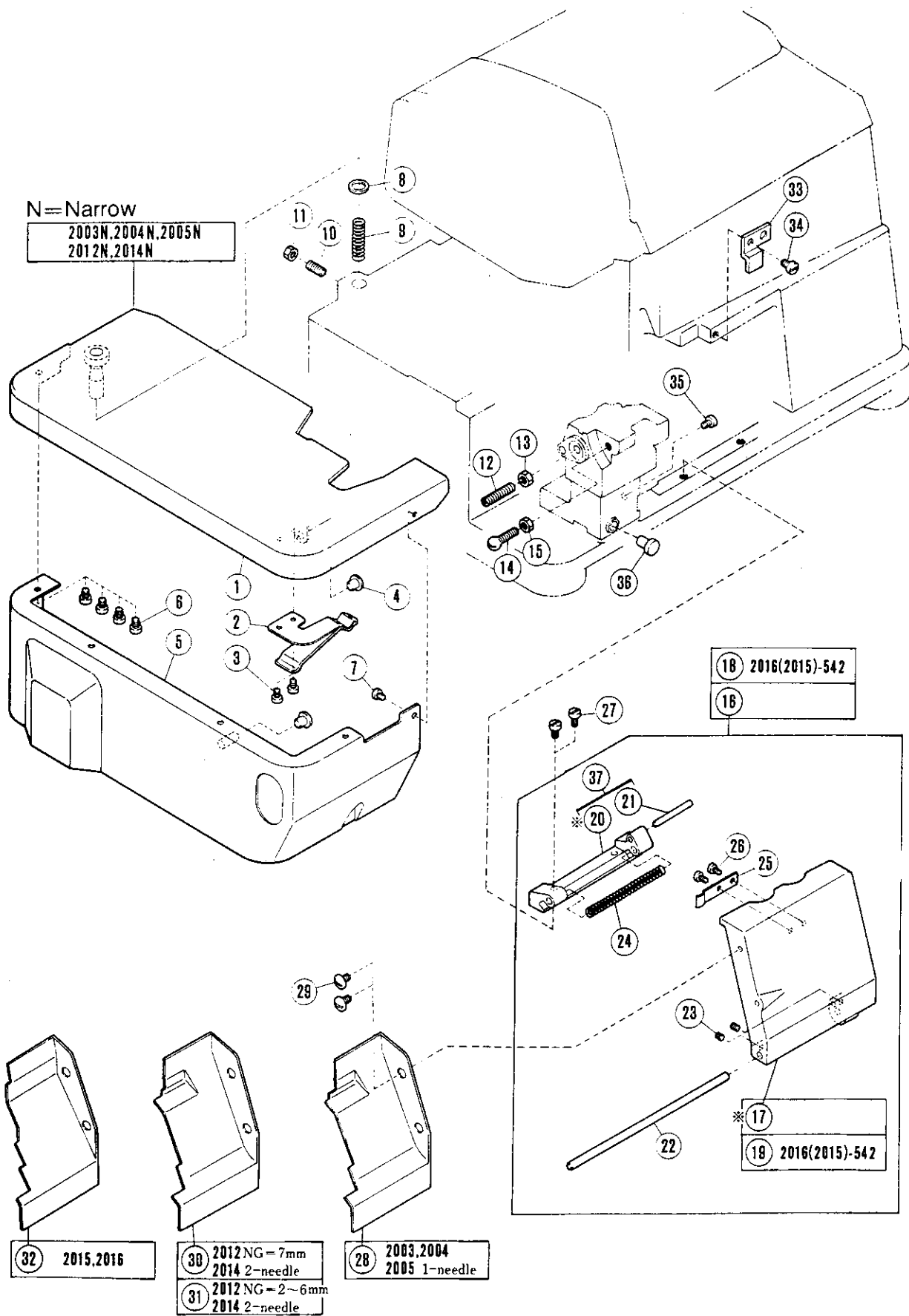
※ ③ ⑤ ~ ⑩ + ⑫ ~ ③⑧
④⑩
2015Z006
2016Z006

※ ④ ⑤ ~ ⑩ + ⑫ ~ ③⑩
③⑦ ~ ③⑧ + ④⑩ 2003, 2004, 2005
2012, 2014 - Z006



MACHINE BED FRAME

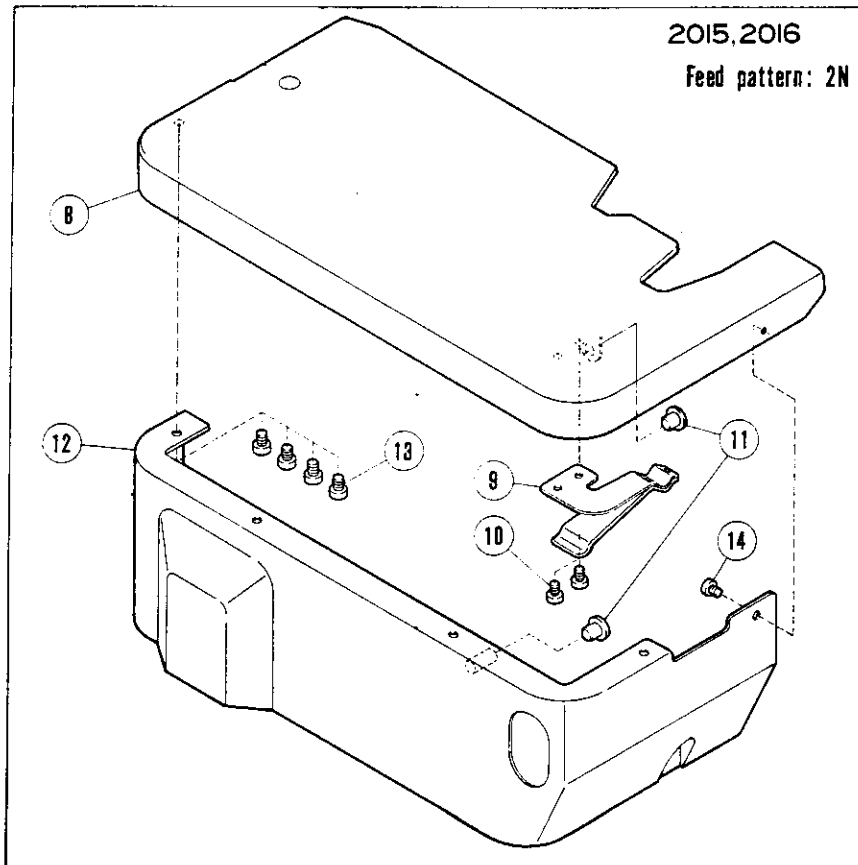
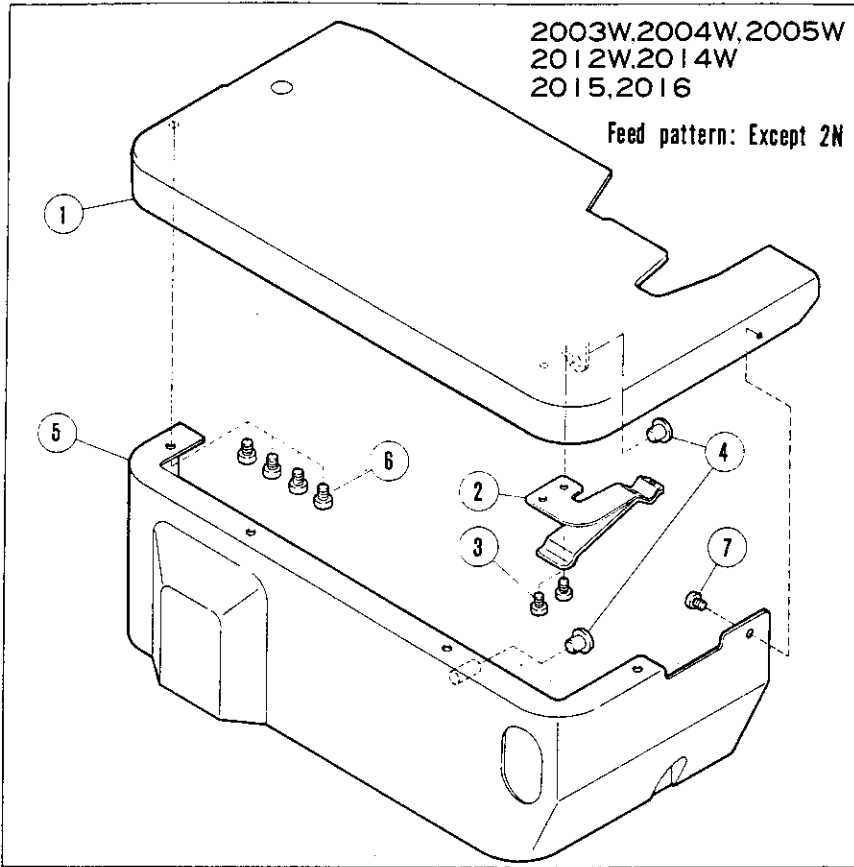
REF. NO.	PART NO.	NAME	QT.	MEMO
* 1	179370-CD	MACHINE BED COMPLETE	1	
* 2	179290-CD	MACHINE BED COMPLETE	1	
* 3	179649-CD	MACHINE BED COMPLETE	1	
* 4	179648-CD	MACHINE BED COMPLETE	1	
* 5	179291-CD	MACHINE BED	1	
6	179535-02	PIPE ASSEMBLY	1	
7	240007	LATCH	1	
8	179292-05	BUSHING	1	
9	179293-05	BUSHING	1	
10	179050-05	BUSHING	1	
11	179561-91	PIPE ASSEMBLY	1	
12	179308-01	PIPE ASSEMBLY	1	
13	240046	PIPE	1	
14	204630	PIN	1	
15	179297-05	BUSHING	2	
16	179298-05	BUSHING	2	
17	179304-05	OIL RELEASE PLUG	1	
18	179303-05	OIL RELEASE PLUG	1	
19	240045	PLUG	2	
20	240001	RING	1	
21	255002	FILTER	1	
22	7065	SCREW	3	
23	179295-05	BUSHING	1	
24	179296-05	BUSHING	1	
25	179294-05	BUSHING	1	
26	179301-05	BUSHING	1	
27	179302-05	BUSHING	1	
28	179300-05	BUSHING	1	
29	240056	PIPE	1	
30	210194	INDICATOR GUIDE	1	
31	179372-05	BUSHING	1	
32	179298-05	BUSHING	1	
33	179304-05	OIL RELEASE PLUG	1	
34	240045	PLUG	1	
35	179371-05	BUSHING	1	
36	179302-05	BUSHING	1	
37	210003	PLUG	1	
38	206195	BUSHING COLLAR	1	
39	179269-15	SCREW	4	
40	179537-25	PIPE ASSEMBLY	1	



NG= Needle Gauge

COVERS(1)

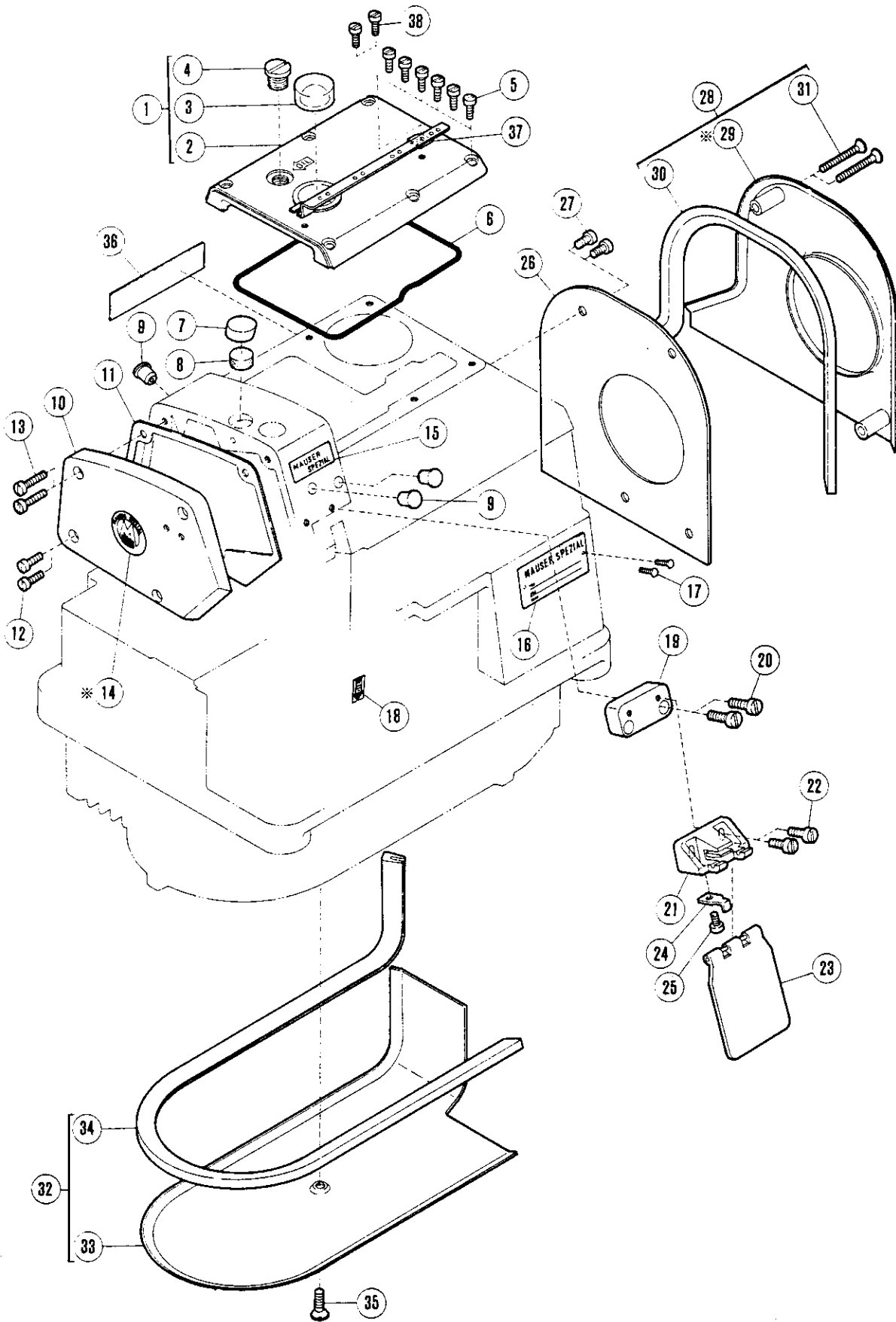
REF. NO.	PART NO.	NAME	QT.	MEMO
1	179351-91	CLOTH PLATE	1	
2	179357-11	LATCH	1	
3	7008	SCREW	2	
4	210025	CUSHION	2	
5	179520-CD	SIDE COVER (NARROW)	1	
6	7008	SCREW	4	
7	7007	SCREW	1	
8	210020	WASHER	1	
9	192130	SPRING	1	
10	4550	SCREW	1	
11	4821	NUT	1	
12	4551	SCREW	1	
13	4820	NUT	1	
14	179213-15	LATCH	1	
15	4821	NUT	1	
16	179218-CD	FRONT COVER ASSEMBLY (RIGHT)	1	
*17	179219-CD	FRONT COVER (RIGHT)	1	
18	179592-CD	FRONT COVER ASSEMBLY (RIGHT)	1	
19	179593-CD	FRONT COVER (RIGHT)	1	
*20	179220-15	HINGE	1	
21	306920	PIN	1	
22	240043	PIN	1	
23	4535	SCREW	2	
24	240044	SPRING	1	
25	179223-15	FLAT SPRING	1	
26	7009	SCREW	2	
27	7020	SCREW	2	
28	179345-21	FRONT COVER (LEFT)	1	
29	7069	SCREW	2	
30	179744-21	FRONT COVER (LEFT)	1	
31	179494-21	FRONT COVER (LEFT)	1	
32	179410-21	FRONT COVER (LEFT)	1	
33	179254-15	GUIDE/FRONT COVER	1	
34	7018	SCREW	1	
35	7017	SCREW	1	
36	210025	CUSHION	1	
37	179220-92	HINGE COMPLETE	1	



W=Wide

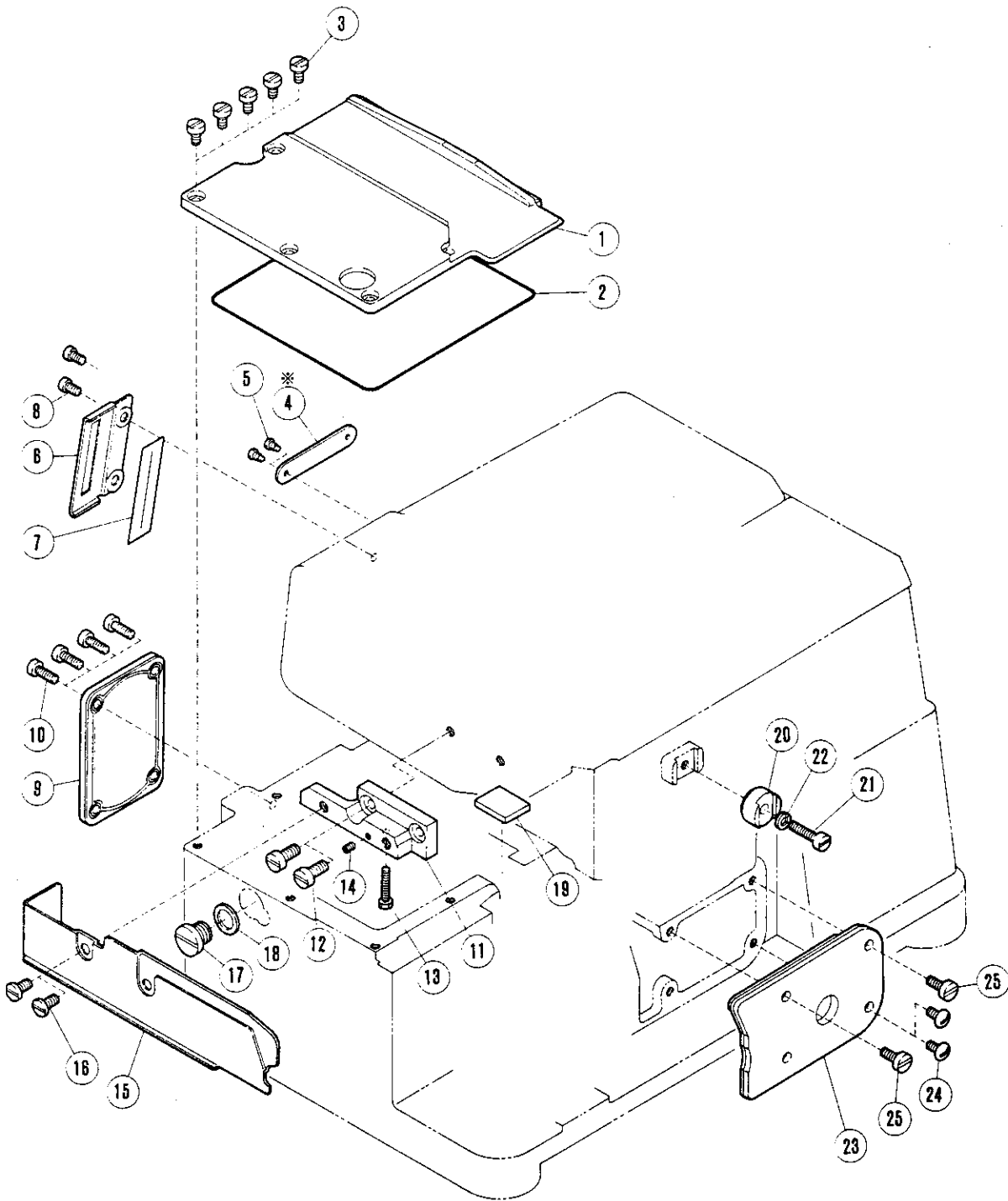
COVERS(2)

REF. NO.	PART NO.	NAME	QT.	MEMO
1	179413-91	CLOTH PLATE	1	
2	179357-11	LATCH	1	
3	7008	SCREW	2	
4	210025	CUSHION	2	
5	179519-CD	SIDE COVER (WIDE)	1	
6	7008	SCREW	4	
7	7007	SCREW	1	
8	179513-91	CLOTH PLATE	1	
9	179357-11	LATCH	1	
10	7008	SCREW	2	
11	210025	CUSHION	2	
12	179519-CD	SIDE COVER (WIDE)	1	
13	7008	SCREW	4	
14	7007	SCREW	1	



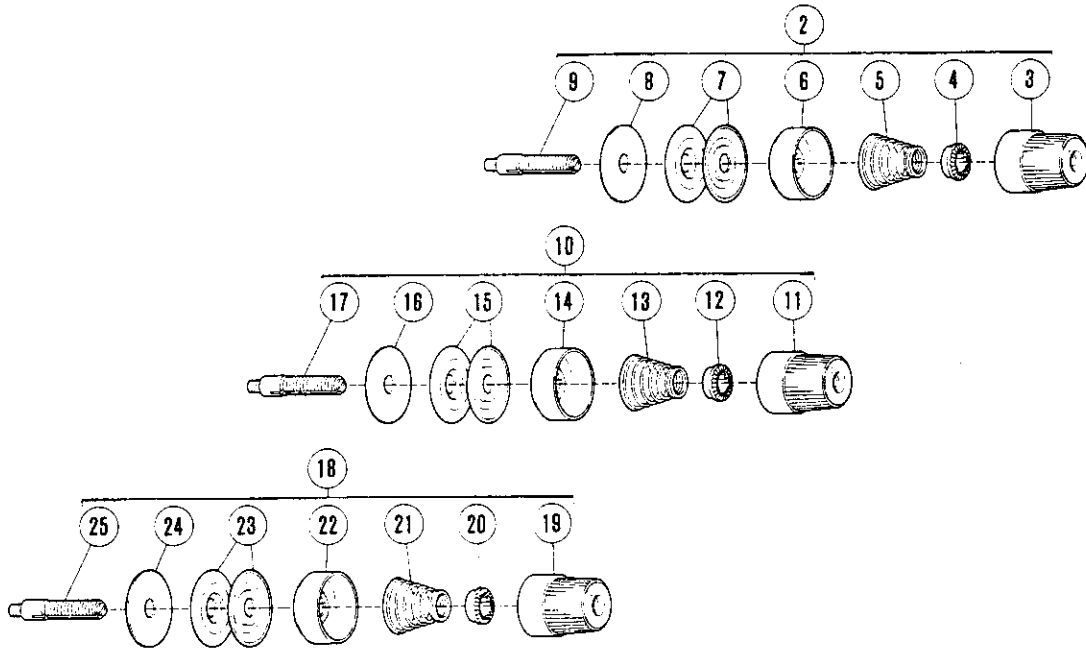
COVERS(3)

REF. NO.	PART NO.	NAME	QT.	MEMO
1	179105-CD	TOP COVER COMPLETE	1	
2	179106-CD	TOP COVER	1	
3	179107-05	OIL SIGHT WINDOW	1	
4	5198	SCREW	1	
5	7020	SCREW	6	
6	179427-05	GASKET	1	
7	240031	PLUG	1	
8	179040-05	SPONGE	1	
9	240052	PLUG	3	
10	179799-BD	FASE PLATE	1	
11	179800-05	GASKET	1	
12	7021	SCREW	2	
13	7024	SCREW	2	
*14	211313	NAME PLATE	1	
15	205724	NAME PLATE	1	
16	212281	TYPE PLATE	1	
17	210679	PIN	2	
18	8421	OIL MARK	1	
19	179473-25	BRACKET	1	
20	7020	SCREW	2	
21	179474-05	BRACKET	1	
22	7013	SCREW	2	
23	179470-91	EYE GUARD	1	
24	179475-25	STOPPER	1	
25	7009	SCREW	1	
26	179082-15	COVER/COOLING FAN	1	
27	7019	SCREW	2	
28	179275-CD	BELT COVER ASSEMBLY	1	
*29	179276-CD	BELT COVER	1	
30	179279-05	GASKET	1	
31	7045	SCREW	2	
32	179262-91	AIR GUIDE ASSEMBLY	1	
33	179263-15	AIR GUIDE	1	
34	179264-05	GASKET	1	
35	7046	SCREW	1	
36	202526	NAME PLATE	1	
37	179707-35	THREAD GUIDE	1	
38	7018	SCREW	2	

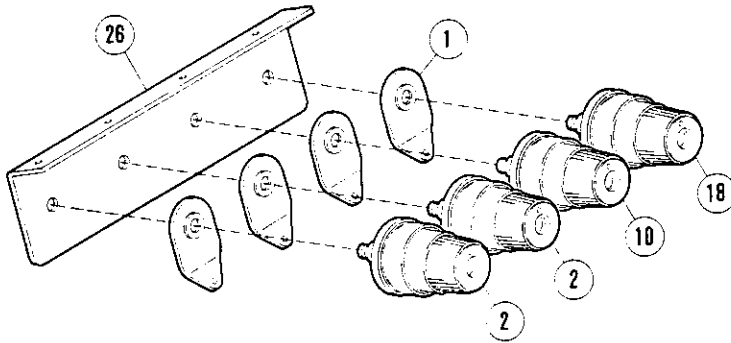


COVERS(4)

REF. NO.	PART NO.	NAME	QT.	MEMO
1	179206-05	COVER PLATE (LEFT)	1	
2	179428-05	GASKET	1	
3	7018	SCREW	5	
* 4	230047	SERIAL NUMBER PLATE	1	
5	210679	PIN	1	
6	179069-15	COVER	1	
7	179070-05	GASKET	1	
8	7036	SCREW	2	
9	179481-91	COVER PLATE	1	
10	7020	SCREW	4	
11	179450-15	BRACKET	1	
12	7028	SCREW	2	
13	4324	SCREW	1	
14	4535	SCREW	1	
15	179492-25	CLOTH GUIDE PLATE	1	
16	7063	SCREW	2	
17	7051	SCREW	1	
18	202063	GASKET	1	
19	179208-05	SEAL	1	
20	212287	SPACER	1	
21	7023	SCREW	1	
22	201252	SPRING WASHER	1	
23	179241-91	COVER/UPPER LOOPER HOLDER	1	
24	7069	SCREW	2	
25	7020	SCREW	2	

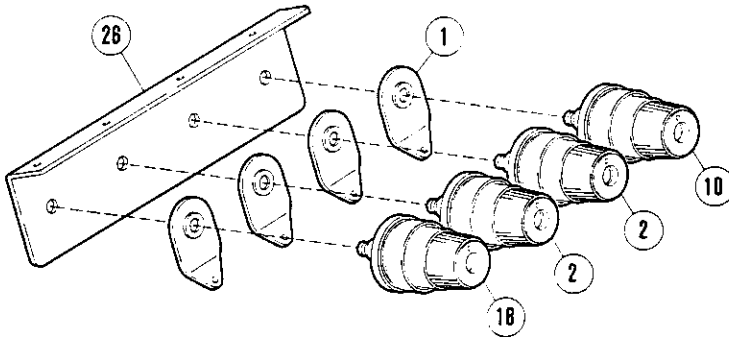


2003, 2004, 2005
2012, 2014, 2016



REF.NO.	MACHINE MODELS	QT.
②	2012, 2014, 2016 (2-needle)	2
	2003, 2004, 2005 (1-needle)	1

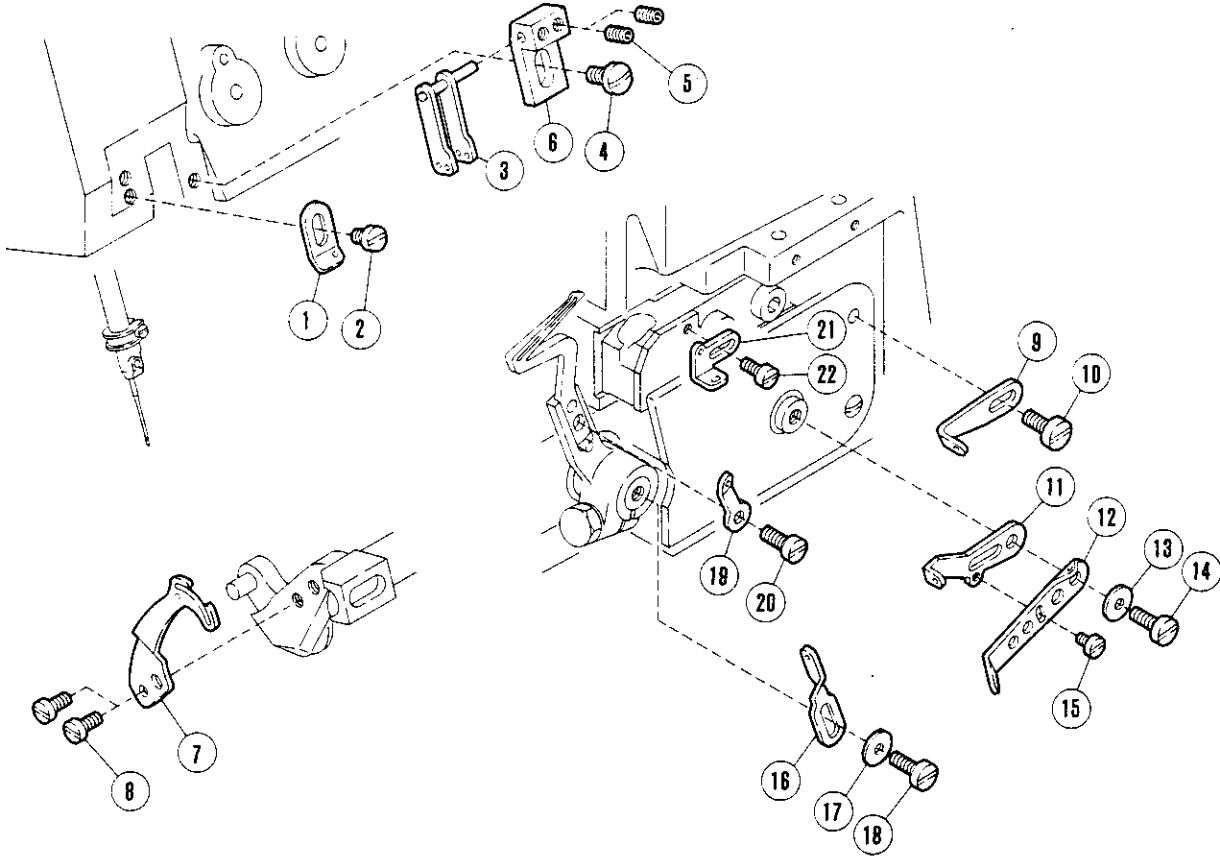
2015



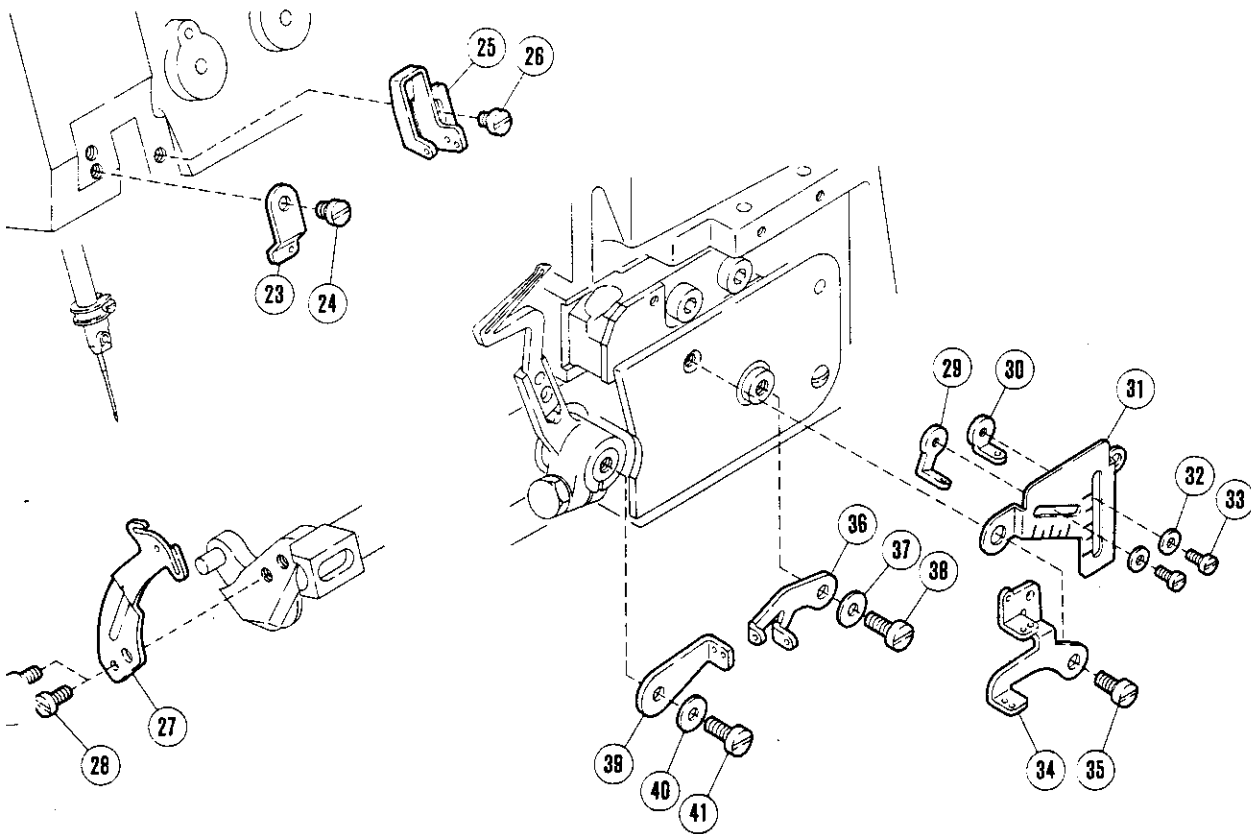
THREAD TENSION MECHANISM(1)

REF. NO.	PART NO.	NAME	QT.	MEMO
1	202849	TENSION GUIDE	4	
2	210529	THREAD TENSION COMPLETE	2	
3	208447	POST NUT	2	
4	208448	SPRING BUSHING	2	
5	201037	SPRING (HEAVY)	2	
6	208450	CUP	2	
7	210319	TENSION DISC	4	
8	208449	FELT	2	
9	5082A	SCREW STUD	2	
10	210531	THREAD TENSION COMPLETE	1	
11	208447	POST NUT	1	
12	208448	SPRING BUSHING	1	
13	201068	SPRING (LIGHT)	1	
14	208450	CUP	1	
15	210319	TENSION DISC	2	
16	208449	FELT	1	
17	5082A	SCREW STUD	1	
18	210530	THREAD TENSION COMPLETE	1	
19	208447	POST NUT	1	
20	208448	SPRING BUSHING	1	
21	201086	SPRING (MEDIUM)	1	
22	208450	CUP	1	
23	210319	TENSION DISC	2	
24	208449	FELT	1	
25	5082A	SCREW STUD	1	
26	179701-35	THREAD GUIDE	1	

2003,2004,2005



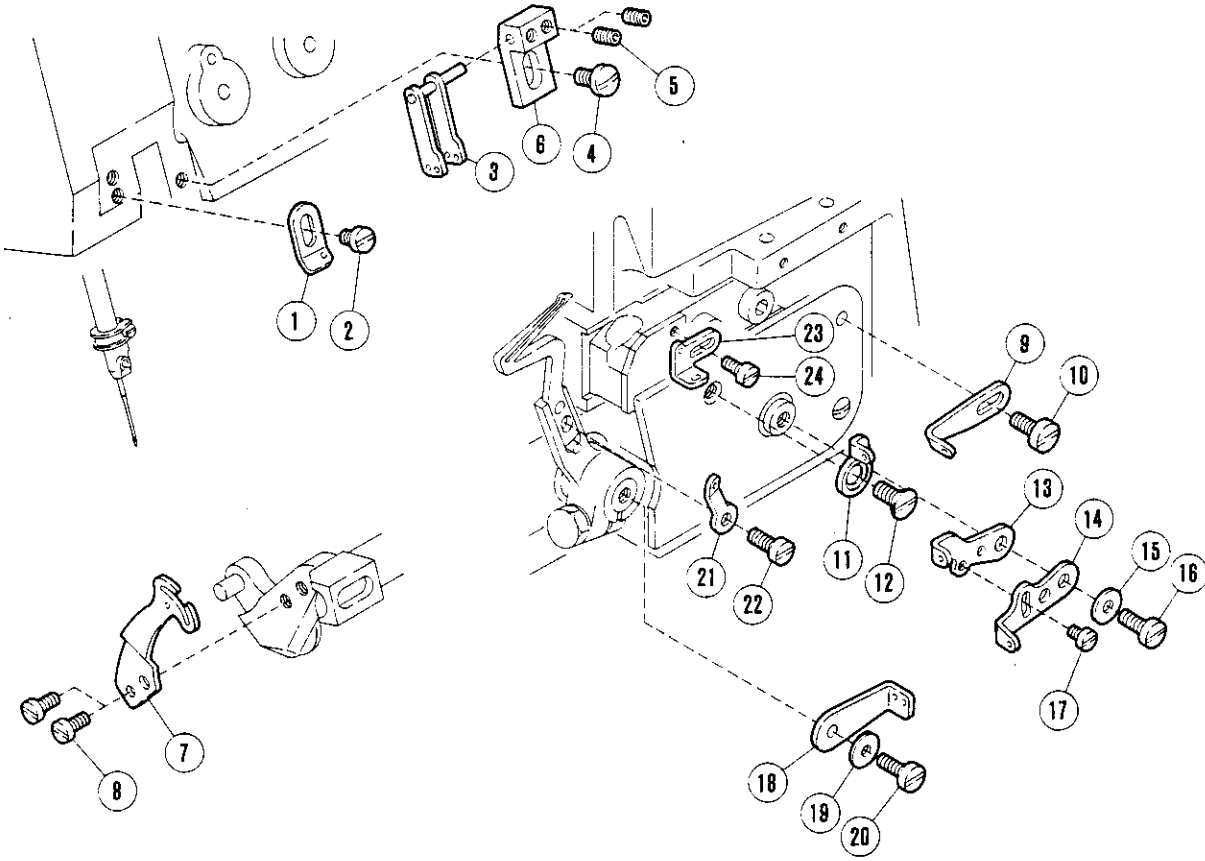
2004-221/01-365



THREAD TENSION MECHANISM(2)

REF. NO.	PART NO.	NAME	QT.	MEMO
1	179636-35	THREAD GUIDE	1	
2	7017	SCREW	1	
3	179515-31	THREAD GUIDE	1	
4	7069	SCREW	1	
5	4535	SCREW	2	
6	179446-15	BRACKET	1	
7	179581-35	THREAD TAKEUP	1	
8	7062	SCREW	2	
9	179236-35	THREAD GUIDE	1	
10	7020	SCREW	1	
11	179583-35	THREAD TAKEUP	1	
12	179582-35	THREAD TAKEUP	1	
13	303448	WASHER	1	
14	7020	SCREW	1	
15	7008	SCREW	1	
16	179586-35	THREAD TAKEUP	1	
17	303448	WASHER	1	
18	7020	SCREW	1	
19	210353	THREAD GUIDE	1	
20	7013	SCREW	1	
21	179585-35	THREAD GUIDE	1	
22	7033	SCREW	1	
23	179819-35	THREAD GUIDE	1	
24	7017	SCREW	1	
25	179771-35	THREAD GUIDE	1	
26	7069	SCREW	1	
27	179774-35	THREAD TAKEUP	1	
28	7062	SCREW	2	
29	179772-35	THREAD GUIDE	1	
30	201089	THREAD GUIDE (RIGHT)	1	
31	179704-35	THREAD GUIDE PLATE	1	
32	202875	WASHER	2	
33	5519	SCREW	2	
34	179770-35	THREAD GUIDE	1	
35	7020	SCREW	1	
36	179773-35	THREAD TAKEUP	1	
37	303448	WASHER	1	
38	7020	SCREW	1	
39	210351	THREAD TAKEUP	1	
40	303448	WASHER	1	
41	7020	SCREW	1	

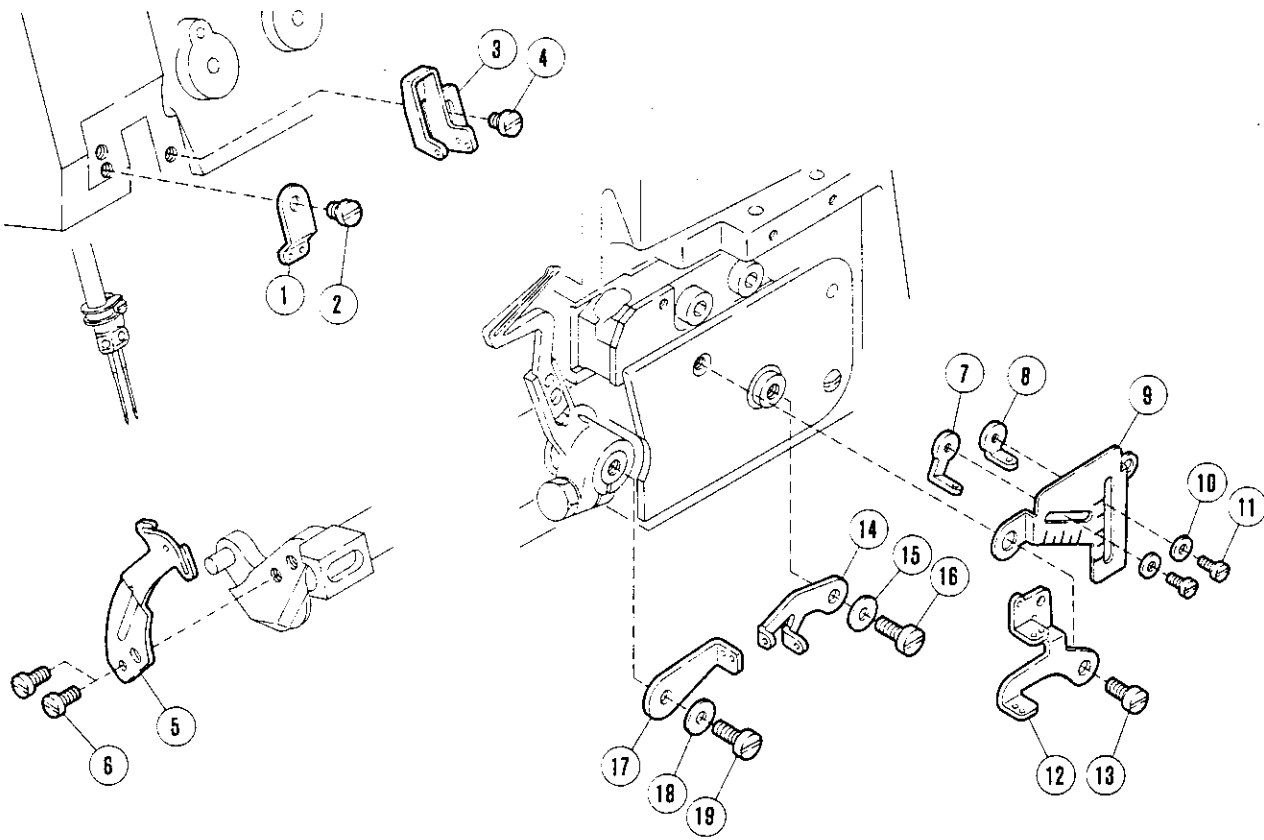
2004-235.236



THREAD TENSION MECHANISM(3)

REF. NO.	PART NO.	NAME	QT.	MEMO
1	179636-35	THREAD GUIDE	1	
2	7017	SCREW	1	
3	179515-31	THREAD GUIDE	1	
4	7069	SCREW	1	
5	4535	SCREW	2	
6	179446-15	BRACKET	1	
7	179560-35	THREAD TAKEUP	1	
8	7062	SCREW	2	
9	179236-35	THREAD GUIDE	1	
10	7020	SCREW	1	
11	179694-35	THREAD GUIDE	1	
12	7044	SCREW	1	
13	179233-35	THREAD TAKEUP	1	
14	179234-35	THREAD TAKEUP	1	
15	303448	WASHER	1	
16	7020	SCREW	1	
17	7008	SCREW	1	
18	179693-35	THREAD TAKEUP	1	
19	303448	WASHER	1	
20	7020	SCREW	1	
21	210353	THREAD GUIDE	1	
22	7013	SCREW	1	
23	179585-35	THREAD GUIDE	1	
24	7033	SCREW	1	

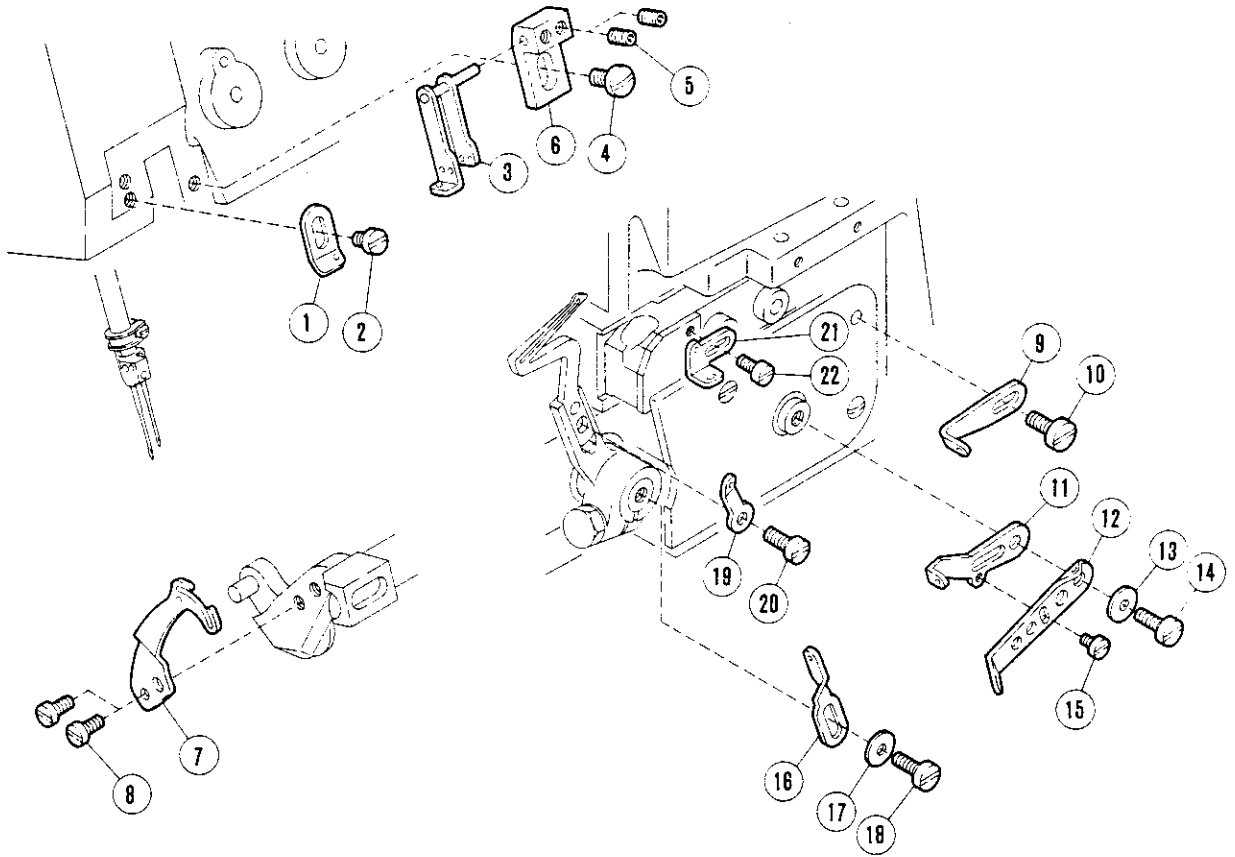
2014



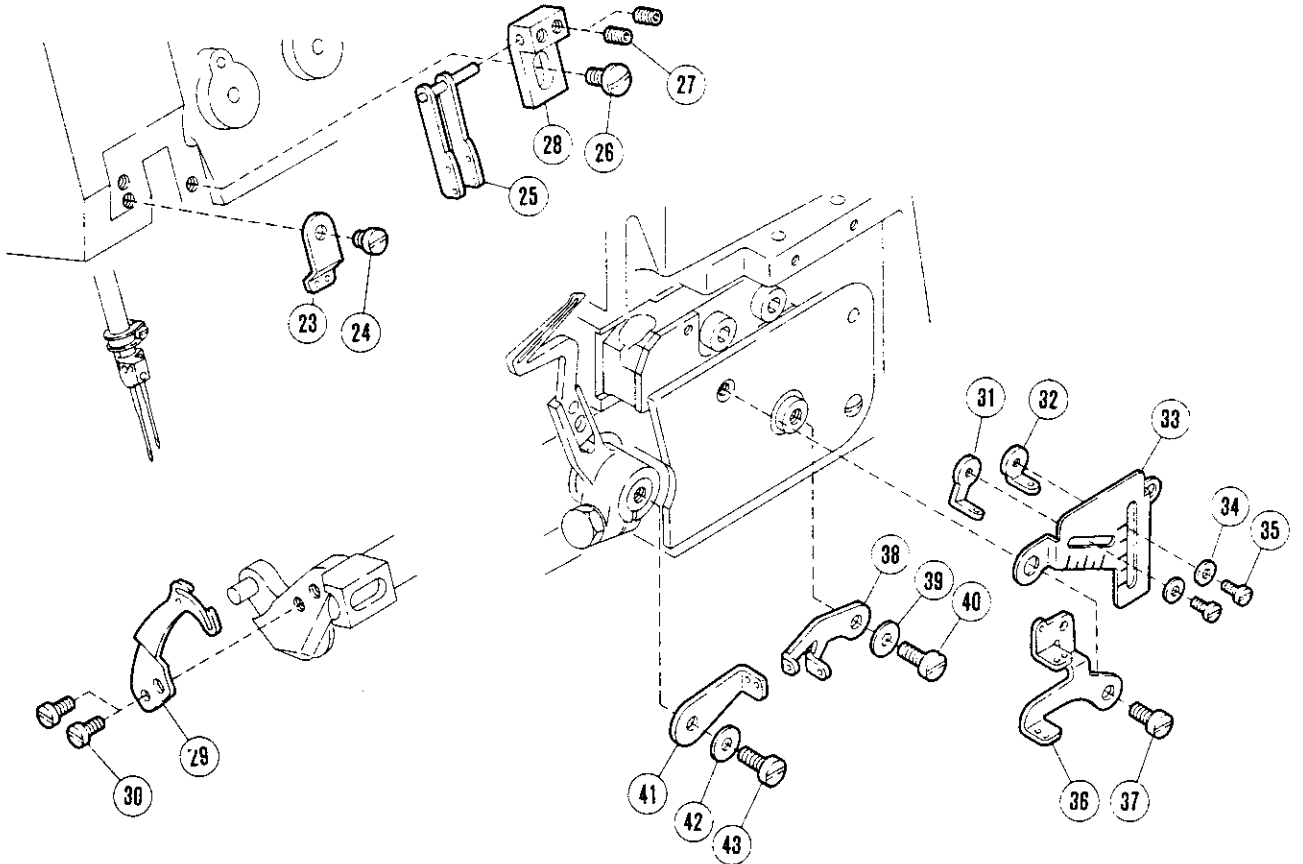
THREAD TENSION MECHANISM(4)

REF. NO.	PART NO.	NAME	QT.	MEMO
1	179769-35	THREAD GUIDE	1	
2	7017	SCREW	1	
3	179771-35	THREAD GUIDE	1	
4	7069	SCREW	1	
5	179774-35	THREAD TAKEUP		
6	7062	SCREW	2	
7	179772-35	THREAD GUIDE	1	
8	201089	THREAD GUIDE (RIGHT)	1	
9	179704-35	THREAD GUIDE PLATE	1	
10	202875	WASHER	1	
11	5519	SCREW	2	
12	179770-35	THREAD GUIDE	1	
13	7020	SCREW	1	
14	179773-35	THREAD TAKEUP	1	
15	303448	WASHER	1	
16	7020	SCREW	1	
17	210351	THREAD TAKEUP	1	
18	303448	WASHER	1	
19	7020	SCREW	1	

2015,2016

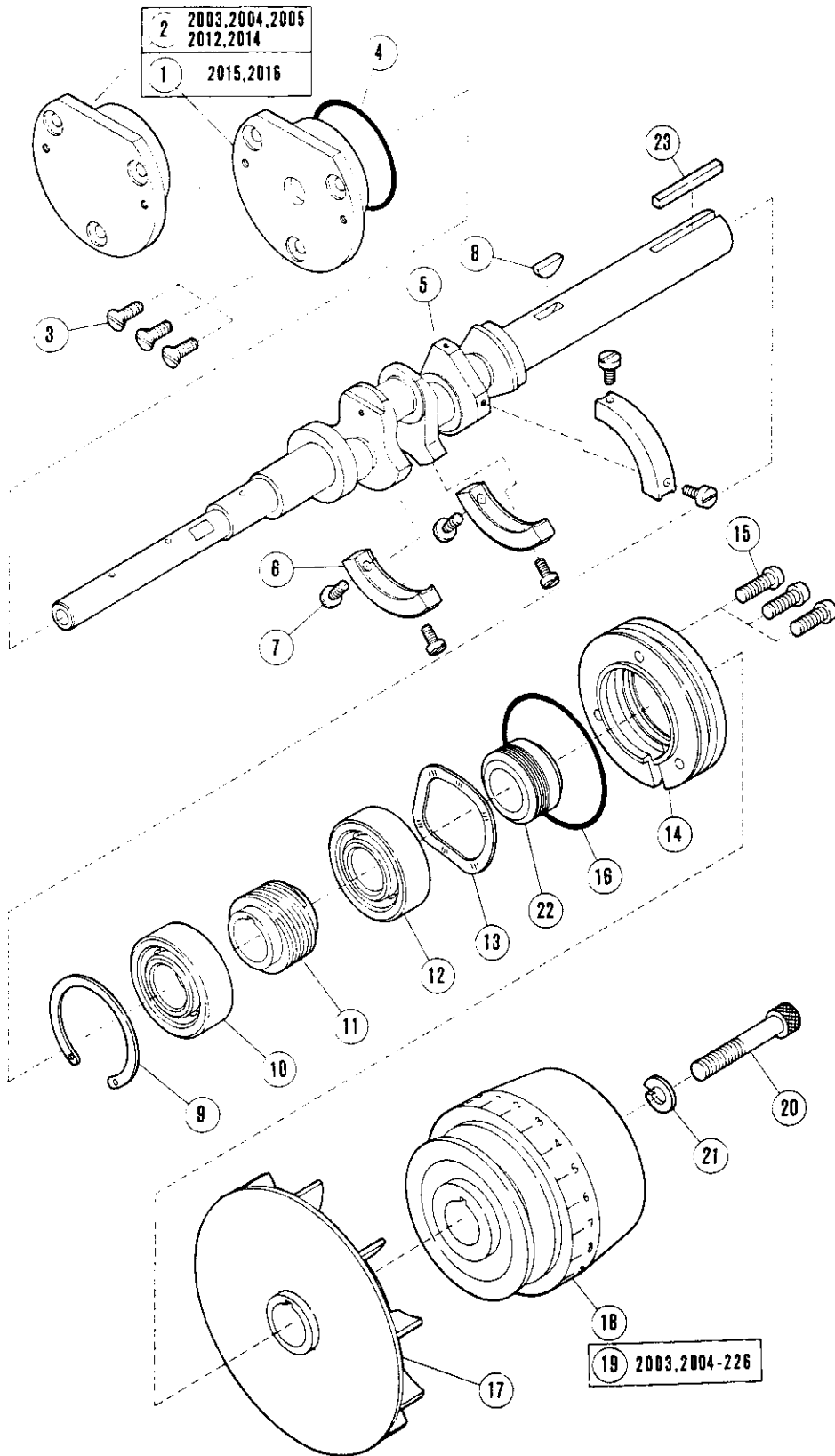


2016(2015)-450,451



THREAD TENSION MECHANISM(5)

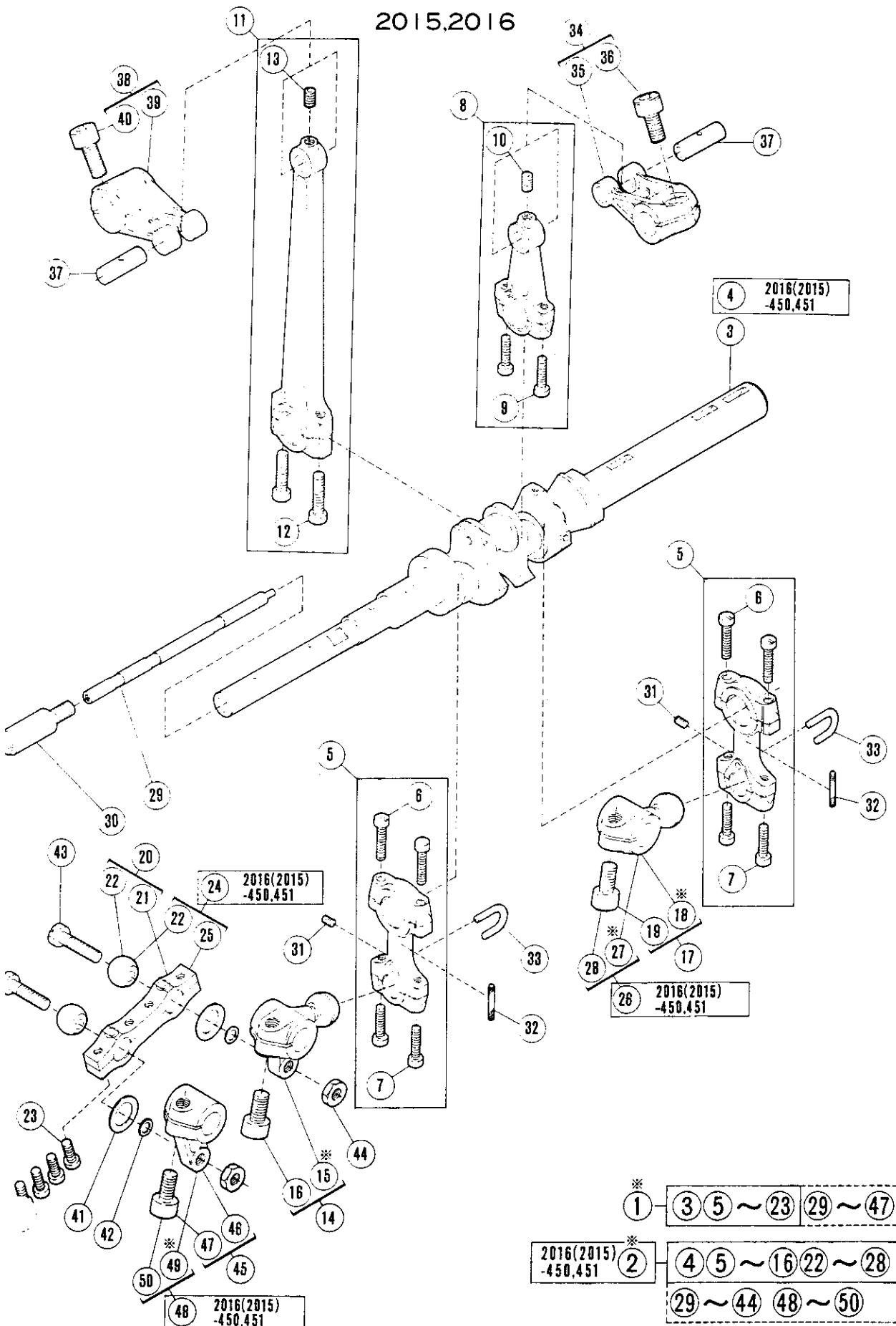
REF. NO.	PART NO.	NAME	QT.	MEMO
1	179636-35	THREAD GUIDE	1	
2	7017	SCREW	1	
3	179442-31	THREAD GUIDE	1	
4	7069	SCREW	1	
5	4535	SCREW	1	
6	179446-15	BRACKET	1	
7	179581-35	THREAD TAKEUP	1	
8	7062	SCREW	2	
9	179236-35	THREAD GUIDE	1	
10	7020	SCREW	1	
11	179583-35	THREAD TAKEUP	1	
12	179582-35	THREAD TAKEUP	1	
13	303448	WASHER	1	
14	7020	SCREW	1	
15	7008	SCREW	1	
16	179586-35	THREAD TAKEUP	1	
17	303448	WASHER	1	
18	7020	SCREW	1	
19	210353	THREAD GUIDE	1	
20	7013	SCREW	1	
21	179585-35	THREAD GUIDE	1	
22	7033	SCREW	1	
23	179769-35	THREAD GUIDE	1	
24	7017	SCREW	1	
25	179807-31	THREAD GUIDE	1	
26	7069	SCREW	1	
27	4535	SCREW	1	
28	179446-15	BRACKET	1	
29	179581-35	THREAD TAKEUP	1	
30	7062	SCREW	2	
31	179772-35	THREAD GUIDE	1	
32	201089	THREAD GUIDE (RIGHT)	1	
33	179704-35	THREAD GUIDE PLATE	1	
34	202875	WASHER	2	
35	5519	SCREW	2	
36	179770-35	THREAD GUIDE	1	
37	7020	SCREW	1	
38	179773-35	THREAD TAKEUP	1	
39	303448	WASHER	1	
40	7020	SCREW	1	
41	210351	THREAD TAKEUP	1	
42	303448	WASHER	1	
43	7020	SCREW	1	



CRANKSHAFT DRIVE MECHANISM(1)

REF. NO.	PART NO.	NAME	QT.	MEMO
1	179385-91	HOUSING ASSEMBLY	1	
2	179332-91	HOUSING ASSEMBLY	1	
3	7044	SCREW	3	
4	240019	O RING	1	
5	XXXXXX	CRANKSHAFT	1	
6	179083-05	BALANCE WEIGHT	3	
7	7011	SCREW	6	
8	240009	KEY	1	
9	240033	RING	1	
10	240010	BALL BEARING	1	
11	179077-05	WORM	1	
12	201512	BUSHING	1	
13	240000	WASHER	1	
14	179685-15	HOUSING	1	
15	7024	SCREW	3	
16	240021	O RING	1	
17	179687-05	COOLING FAN	1	
18	179797-BD	MACHINE PULLEY	1	
19	179756-BD	MACHINE PULLEY	1	
20	4523	SCREW	1	
21	204293	SPRING WASHER	1	
22	179686-05	OIL SEAL	1	
23	240196	KEY	1	

2015,2016



* ① ③ ⑤ ~ ②③ ②⑨ ~ ④⑦

2016(2015) * ② ④ ⑤ ~ ①⑥ ②② ~ ②⑧

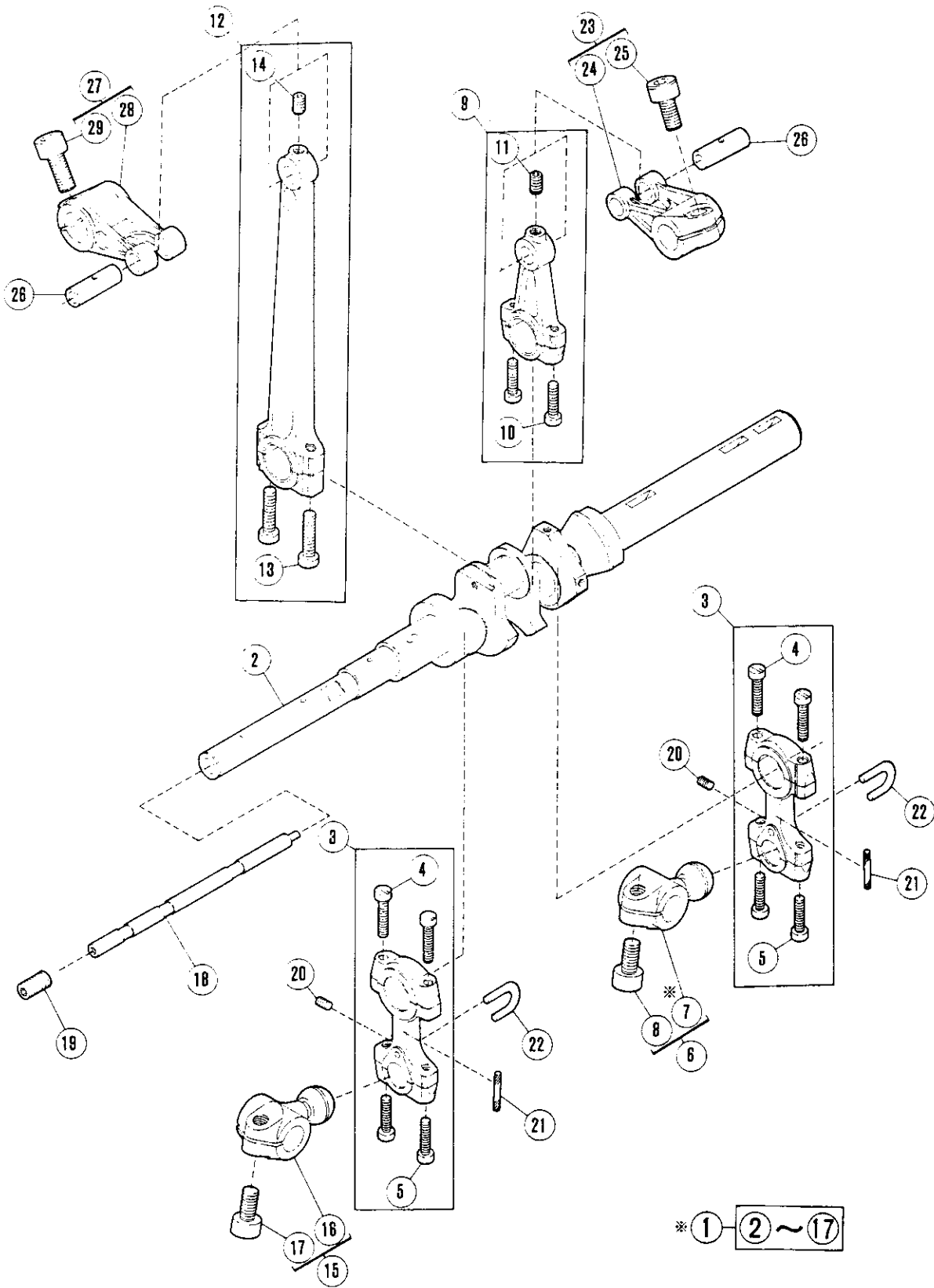
②⑨ ~ ④④ ④⑧ ~ ⑤⑩

CRANKSHAFT DRIVE MECHANISM(2)

REF. NO.	PART NO.	NAME	QT.	MEMO
* 1	179610-91	CRANKSHAFT ASSEMBLY	1	
* 2	179803-91	CRANKSHAFT ASSEMBLY	1	
3	179542-91	CRANKSHAFT	1	
4	179802-91	CRANKSHAFT	1	
5	179319-92	CONNECTION	2	
6	7016	SCREW	4	
7	7015	SCREW	4	
8	179328-92	CONNECTION/UPPER KNIFE	1	
9	7015	SCREW	2	
10	4553	SCREW	1	
11	179324-92	CONNECTION/NEEDLE DRIVE ASSEM.	1	
12	7024	SCREW	2	
13	4553	SCREW	1	
14	179376-92	CRANK/LOWER LOOPER ASSEMBLY	1	
*15	179376-05	CRANK	1	
16	4533	SCREW	1	
17	179330-92	CRANK/UPPER LOOPER	1	
*18	179330-05	CRANK	1	
19	4533	SCREW	1	
20	179599-91	CONNECTION ASSEMBLY	1	
21	179377-91	CONNECTION	1	
22	179382-05	BALL STUD	2	
23	7014	SCREW	4	
24	179813-91	BALL STUD ASSEMBLY	1	
25	179812-91	ROD	1	
26	179781-92	CRANK/UPPER LOOPER ASSEMBLY	1	
*27	179781-05	CRANK/UPPER LOOPER	1	
28	4533	SCREW	1	
29	179331-05	SCREW	1	
30	179383-05	PIN	1	
31	7073	SCREW	2	
32	179320-05	OIL FELT	2	
33	179321-05	GUIDE/CONNECTION	2	
34	179329-92	CRANK/UPPER KNIFE ASSEMBLY	1	
35	179329-05	CRANK	1	
36	4533	SCREW	1	
37	179326-05	PIN	2	
38	179325-92	CRANK NEEDLE DRIVE ASSEMBLY	1	
39	179325-05	CRANK	1	
40	4534	SCREW	1	
41	179380-05	GUIDE/CONNECTION	2	
42	206683	WASHER	2	
43	4549	SCREW	2	
44	4820	NUT	2	
45	179381-92	CRANK ASSEMBLY	1	
46	179381-05	CRANK	1	
47	4533	SCREW	1	
48	179805-92	CRANK ASSEMBLY	1	
*49	179805-05	CRANK	1	
50	4533	SCREW	1	

Notice) Parts with mark * are not for sale.

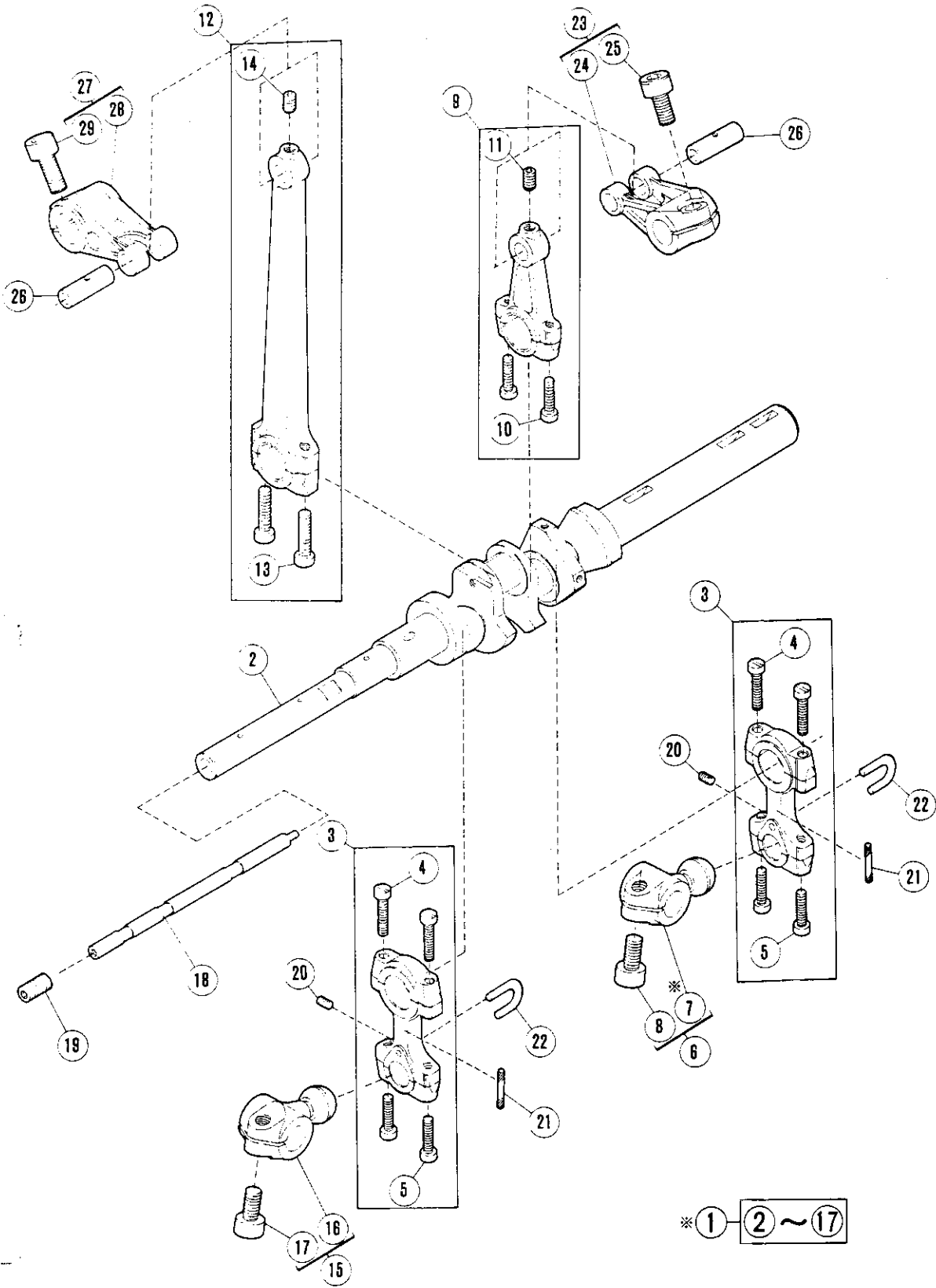
2003,2004,2005



CRANKSHAFT DRIVE MECHANISM(3)

REF. NO.	PART NO.	NAME	QT.	MEMO
* 1	179603-91	CRANKSHAFT ASSEMBLY	1	
2	179542-91	CRANKSHAFT	1	
3	179319-92	CONNECTION	2	
4	7016	SCREW	4	
5	7015	SCREW	4	
6	179330-92	CRANK/UPPER LOOPER	1	
* 7	179330-05	CRANK	1	
8	4533	SCREW	1	
9	179328-92	CONNECTION/UPPER KNIFE	1	
10	7015	SCREW	2	
11	4553	SCREW	1	
12	179324-92	CONNECTION/NEEDLE DRIVE ASSEM.	1	
13	7024	SCREW	2	
14	4553	SCREW	1	
15	179322-92	CRANK LOWER LOOPER ASSEMBLY	1	
16	179322-05	CRANK	1	
17	4533	SCREW	1	
18	179331-05	SCREW	1	
19	4542	SCREW	1	
20	7073	SCREW	2	
21	179320-05	OIL FELT	2	
22	179321-05	GUIDE/CONNECTION	2	
23	179329-92	CRANK/UPPER KNIFE ASSEMBLY	1	
24	179329-05	CRANK	1	
25	4533	SCREW	1	
26	179326-05	PIN	2	
27	179325-92	CRANK NEEDLE DRIVE ASSEMBLY	1	
28	179325-05	CRANK	1	
29	4534	SCREW	1	

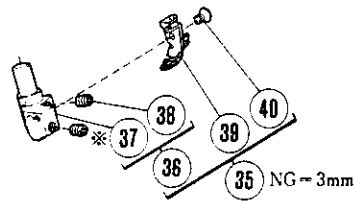
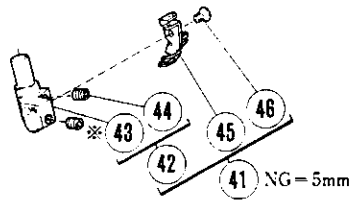
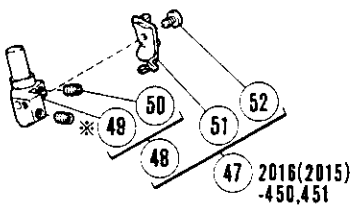
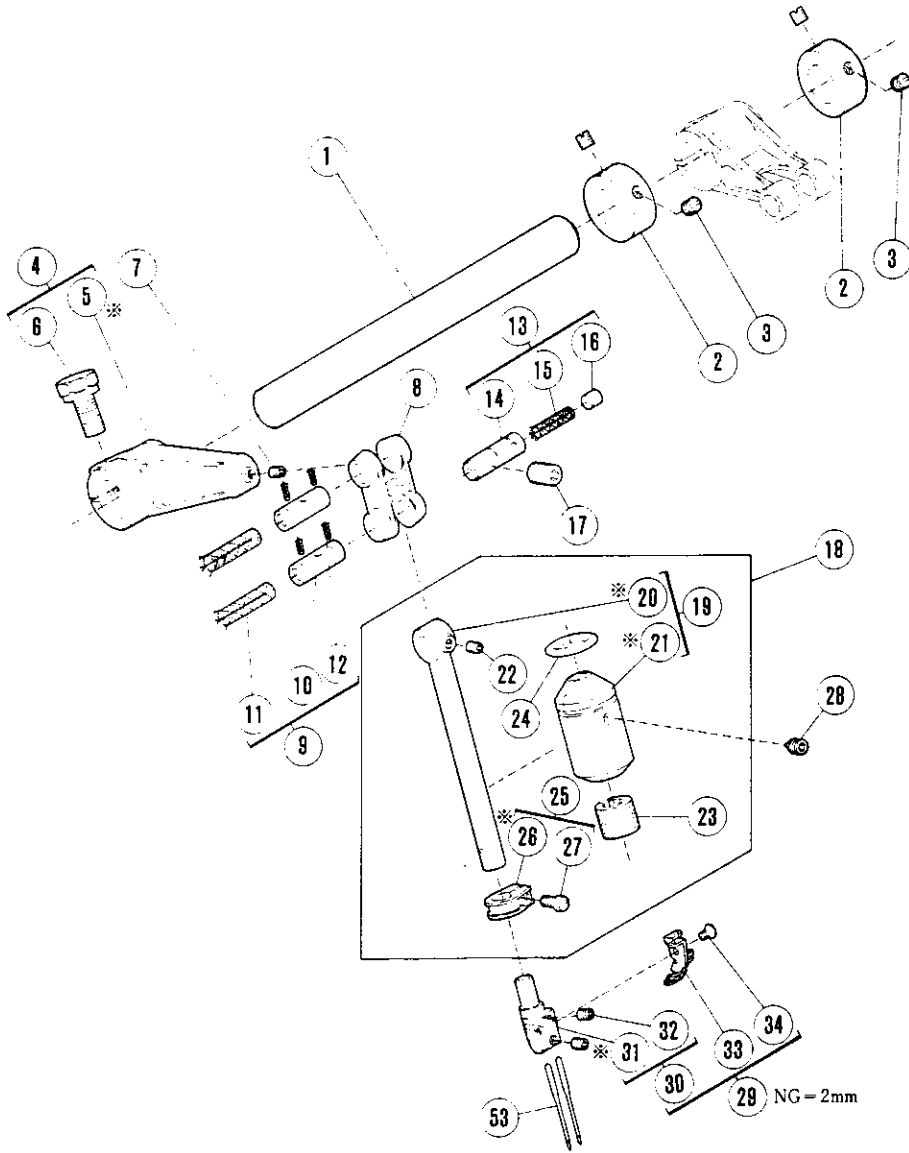
2003,2004,2005 } 221
2012,2014 } 133



CRANKSHAFT DRIVE MECHANISM(4)

REF. NO.	PART NO.	NAME	QT.	MEMO
* 1	179606-91	CRANKSHAFT ASSEMBLY	1	
2	179703-91	CRANKSHAFT	1	
3	179319-92	CONNECTION/UPPER. LOWER LOPPER	2	
4	7016	SCREW	4	
5	7015	SCREW	4	
6	179781-92	CRANK/UPPER LOOPER ASSEMBLY	1	
* 7	179781-05	CRANK/UPPER LOOPER	1	
8	4533	SCREW	1	
9	179328-92	CONNECTION/UPPER KNIFE	1	
10	7015	SCREW	2	
11	4553	SCREW	1	
12	179324-92	CONNECTION/NEEDLE DRIVE ASSEM.	1	
13	7024	SCREW	2	
14	4553	SCREW	1	
15	179322-92	CRANK LOWER LOOPER ASSEMBLY	1	
16	179322-05	CRANK	1	
17	4533	SCREW	1	
18	179331-05	SCREW	1	
19	4542	SCREW	1	
20	7073	SCREW	2	
21	179320-05	OIL FELT	2	
22	179321-05	GUIDE/CONNECTION	2	
23	179818-92	CRANK/UPPER KNIFE	1	
24	179329-05	CRANK	1	
25	4533	SCREW	1	
26	179326-05	PIN	2	
27	179325-92	CRANK NEEDLE DRIVE ASSEMBLY	1	
28	179325-05	CRANK	1	
29	4534	SCREW	1	

2015.2016



NG=Needle Gauge

NEEDLE DRIVE MECHANISM(1)

REF. NO.	PART NO.	NAME	QT.	MEMO
1	179075-05	SHAFT	1	
2	231506	COLLAR	2	
3	1457	SCREW	4	
4	179043-92	LEVER ASSEMBLY	1	
* 5	179043-05	LEVER	1	
6	7053	SCREW	1	
7	4545	SCREW	1	
8	179045-05	LINK	1	
9	179046-01	PIN	2	
10	179047-35	PIN	2	
11	202177	OIL WICK	2	
12	202174	OIL WICK	4	
13	179562-01	PIN ASSEMBLY	1	
14	179066-05	PIN	1	
15	202176	OIL WICK	1	
16	240038	PLUG	1	
17	4541	SCREW	1	
18	179036-91	BUSHING ASSEMBLY	1	
19	179597-91	BUSHING ASSEMBLY	1	
*20	179037-35	NEEDLE BAR	1	
*21	179008-05	BUSHING	1	
22	4545	SCREW	1	
23	179009-05	OIL FELT	1	
24	240018	O RING	1	
25	179039-92	COLLAR COMPLETE	1	
*26	179039-05	COLLAR	1	
27	7035	SCREW	1	
28	4546	SCREW	1	
29	179709-91	NEEDLE HOLDER ASSEMBLY	1	
30	179708-92	NEEDLE HOLDER ASSEMBLY	1	
*31	179708-05	NEEDLE HOLDER	1	
32	4535	SCREW	2	
33	179434-35	THREAD GUIDE	1	
34	7119	SCREW	1	
35	179631-91	NEEDLE HOLDER ASSEMBLY	1	
36	179628-92	NEEDLE HOLDER ASSEMBLY	1	
*37	179628-05	NEEDLE HOLDER	1	
38	4535	SCREW	2	
39	179434-35	THREAD GUIDE	1	
40	7119	SCREW	1	
41	179632-91	NEEDLE HOLDER ASSEMBLY (5)	1	
42	179629-92	NEEDLE HOLDER ASSEMBLY (5)	1	
*43	179629-05	NEEDLE HOLDER (5)	1	
44	4535	SCREW	2	
45	179434-35	THREAD GUIDE	1	
46	7119	SCREW	1	
47	179809-91	NEEDLE HOLDER ASSEMBLY (5)	1	
48	179629-92	NEEDLE HOLDER ASSEMBLY (5)	1	
*49	179629-05	NEEDLE HOLDER (5)	2	
50	4535	SCREW	1	
51	179808-35	THREAD GUIDE	1	
52	7120	SCREW	1	
53	XXXXXX	NEEDLE	1	

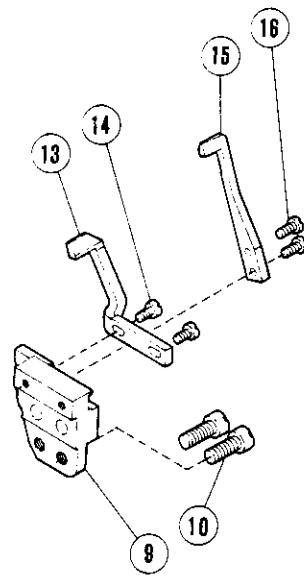
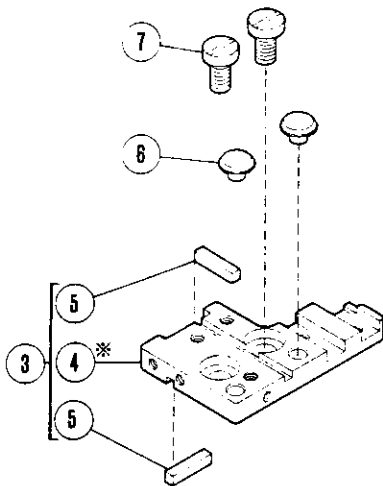
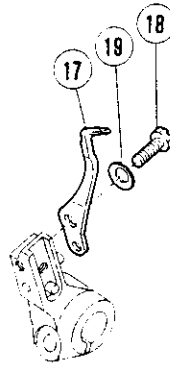
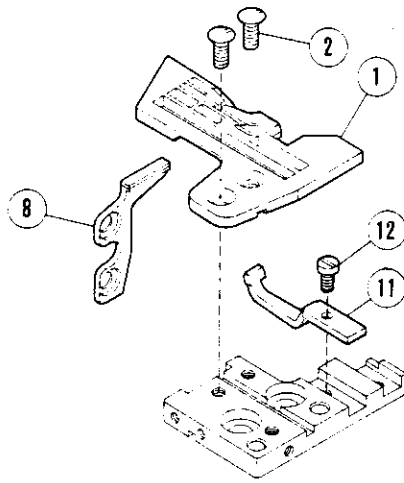
PLEASE NOTE :

Notice) Parts with mark * are not for sale.

— 31 —

「XXXXXX」 is one of the gauge parts.

2015,2016



NEEDLE DRIVE MECHANISM(2)

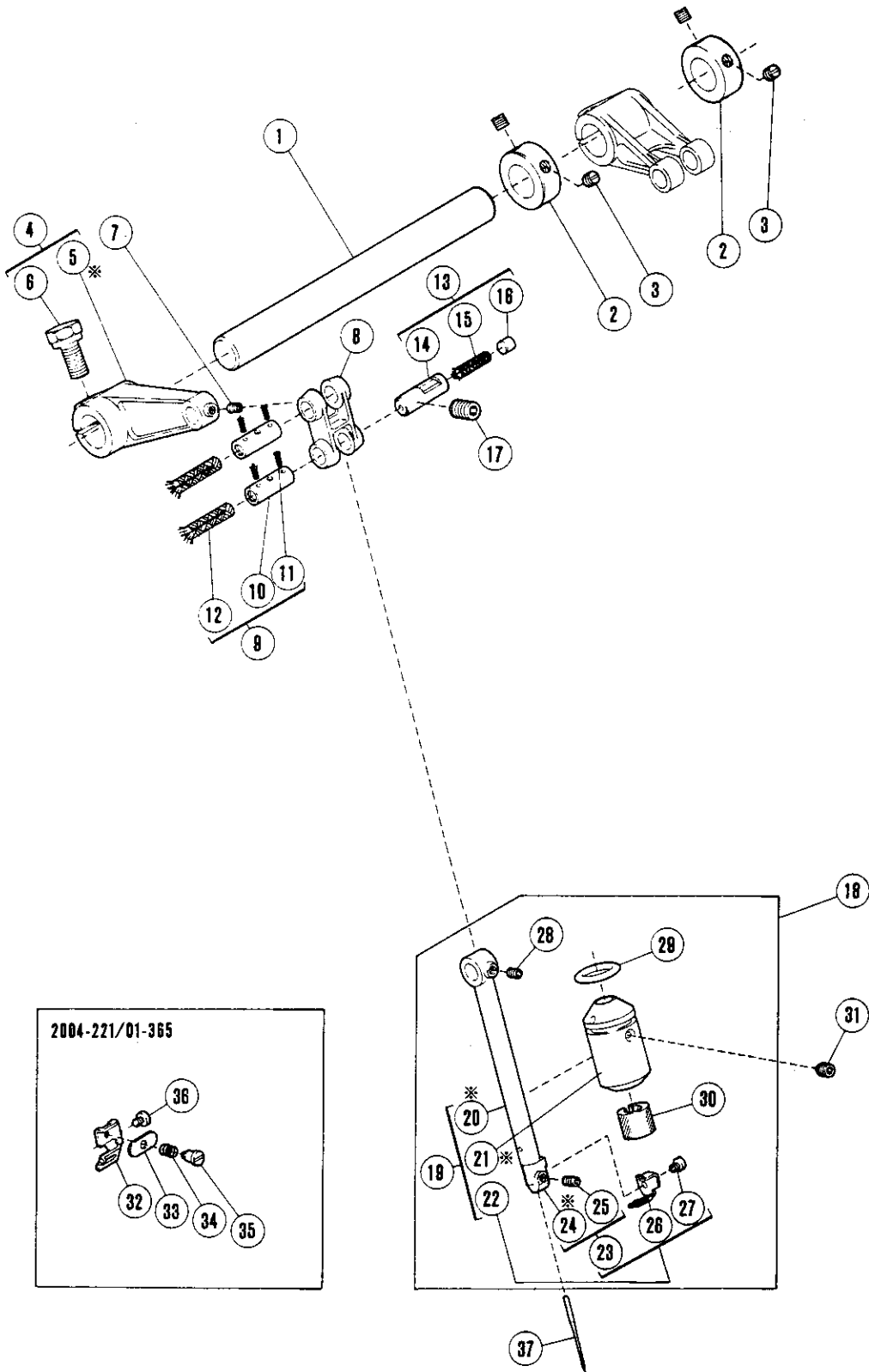
REF. NO.	PART NO.	NAME	QT.	MEMO
1	XXXXXX	NEEDLE PLATE	1	
2	5484-HC	SCREW	1	
3	211392	BRACKET COMPLETE	2	
* 4	211393	BRACKET COMPLETE	1	
5	210073	KEY	2	
6	210025	CUSHION	2	
7	7052	SCREW	2	
8	179251-91	SUPPORT/NEEDLE PLATE	1	
9	210277	BRACKET/NEEDLE GUARD	1	
10	7020	SCREW	2	
11	210278	CHAINSTITCH NEEDLE GUARD FRONT	1	
12	5328	SCREW	1	
13	210279	CHAINSTITCH NEEDLE GUARD REAR	1	
14	5492	SCREW	1	
15	210275A	NEEDLE GUARD (FRONT)	1	
16	5492	SCREW	2	
17	XXXXXX	NEEDLE GUARD (REAR)	1	
18	7067	SCREW	1	
19	210930	SPRING WASHER	1	

Notice) Parts with mark ※ are not for sale.

PLEASE NOTE :

「XXXXXX」 is one of the gauge parts.

2003,2004,2005



NEEDLE DRIVE MECHANISM(3)

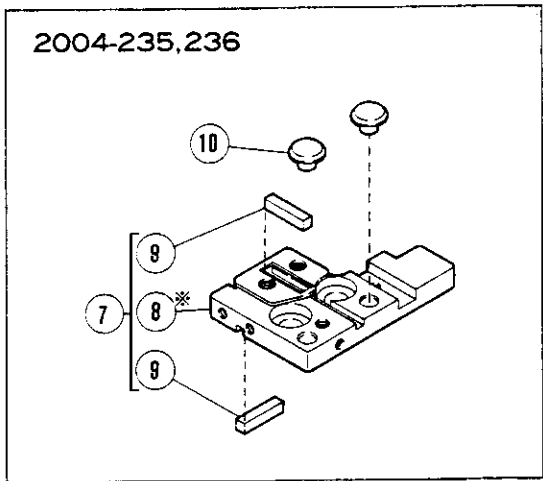
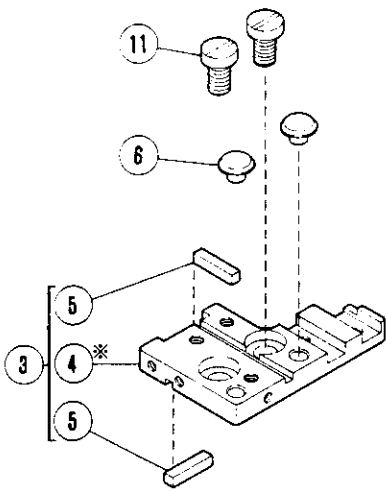
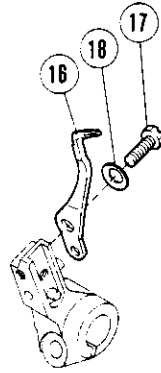
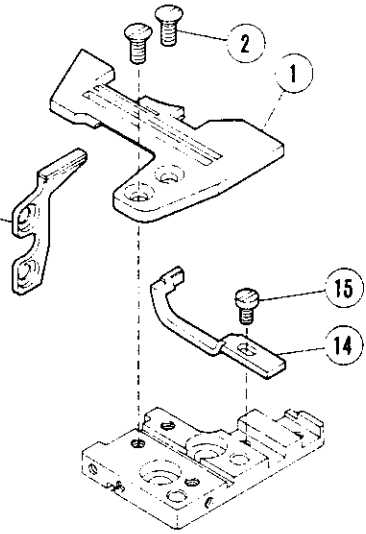
REF. NO.	PART NO.	NAME	QT.	MEMO
1	179075-05	SHAFT	1	
2	231506	COLLAR	2	
3	1457	SCREW	4	
4	179043-92	LEVER ASSEMBLY	1	
* 5	179043-05	LEVER	1	
6	7053	SCREW	1	
7	4545	SCREW	1	
8	179045-05	LINK	1	
9	179046-01	PIN	2	
10	179047-35	PIN	2	
11	202174	OIL WICK	4	
12	202177	OIL WICK	2	
13	179562-01	PIN ASSEMBLY	1	
14	179066-05	PIN	1	
15	202176	OIL WICK	1	
16	240038	PLUG	1	
17	4541	SCREW	1	
18	179004-91	BUSHING ASSEMBLY	1	
19	179596-91	BUSHING ASSEMBLY	1	
*20	179034-35	NEEDLE BAR	1	
*21	179008-05	BUSHING	1	
22	179633-91	NEEDLE HOLDER ASSEMBLY	1	
23	179630-92	NEEDLE HOLDER ASSEMBLY	1	
*24	179630-05	NEEDLE HOLDER	1	
25	4535	SCREW	1	
26	179431-35	THREAD GUIDE	1	
27	7120	SCREW	1	
28	4545	SCREW	1	
29	240018	O RING	1	
30	179009-05	OIL FELT	1	
31	4546	SCREW	1	
32	179766-35	RETAINER BRACKET	1	
33	179767-35	NEEDLE THREAD RETAINER	1	
34	179768-15	SPRING	1	
35	7117	SCREW	1	
36	7120	SCREW	1	
37	XXXXXX	NEEDLE	1	

Notice) Parts with mark ※ are not for sale.

PLEASE NOTE :

「XXXXXX」 is one of the gauge parts.

2003, 2004, 2005	12
2004-235, 236	13



NEEDLE DRIVE MECHANISM(4)

REF. NO.	PART NO.	NAME	QT.	MEMO
1	XXXXXX	NEEDLE PLATE	1	
2	5484-HC	SCREW	2	
3	211392	BRACKET COMPLETE	1	
* 4	211393	BRACKET COMPLETE	1	
5	210073	KEY	2	
6	210025	CUSHION	2	
7	212277	BRACKET ASSEMBLY/NEEDLE PLATE	1	
* 8	211393	BRACKET COMPLETE	1	
9	210073	KEY	2	
10	210025	CUSHION	2	
11	7052	SCREW	2	
12	179251-91	SUPPORT/NEEDLE PLATE	1	
13	179695-91	SUPPORT/NEEDLE PLATE	1	
14	XXXXXX	NEEDLE GUARD (FRONT)	1	
15	5328	SCREW	1	
16	XXXXXX	NEEDLE GUARD (REAR)	1	
17	7067	SCREW	1	
18	210930	SPRING WASHER	1	

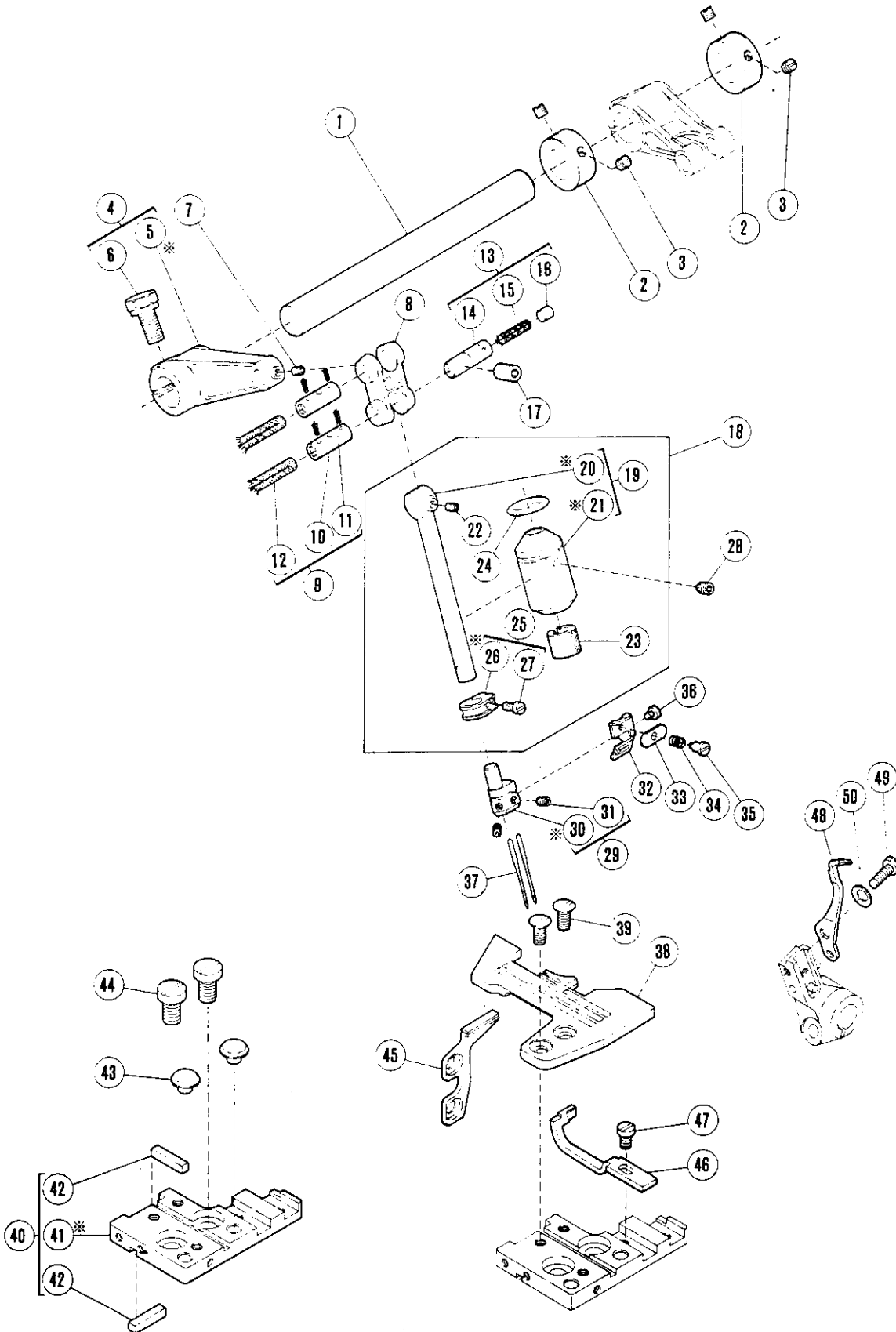
Notice) Parts with mark * are not for sale.

— 37 —

PLEASE NOTE :

「XXXXXX」 is one of the gauge parts.

2012.2014



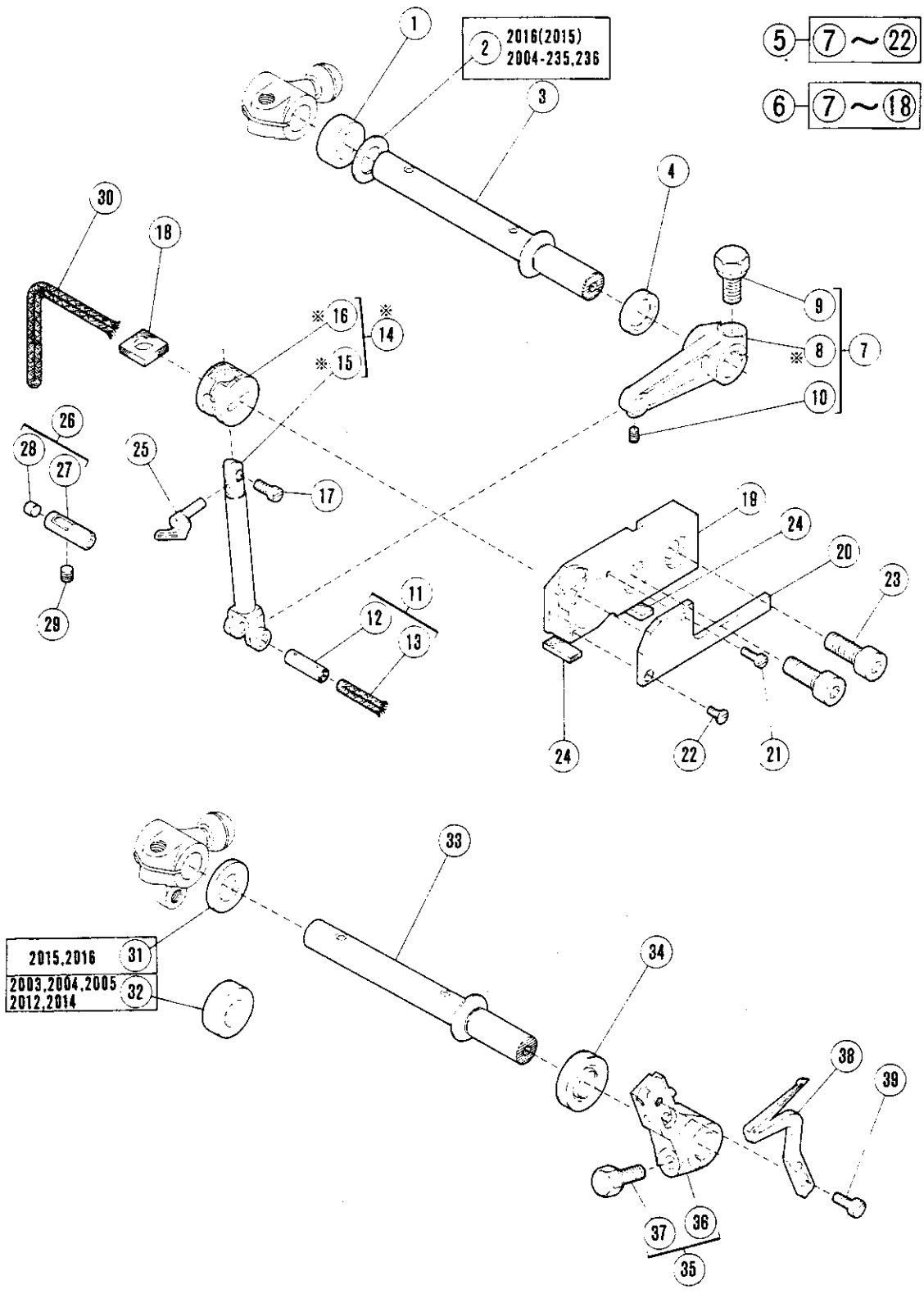
NEEDLE DRIVE MECHANISM(5)

REF. NO.	PART NO.	NAME	QT.	MEMO
1	179075-05	SHAFT	1	
2	231506	COLLAR	2	
3	1457	SCREW	4	
4	179043-92	LEVER ASSEMBLY	1	
* 5	179043-05	LEVER	1	
6	7053	SCREW	1	
7	4545	SCREW	1	
8	179045-05	LINK	1	
9	179046-01	PIN	2	
10	179047-35	PIN	2	
11	202174	OIL WICK	4	
12	202177	OIL WICK	2	
13	179562-01	PIN ASSEMBLY	1	
14	179066-05	PIN	1	
15	202176	OIL WICK	1	
16	240038	PLUG	1	
17	4541	SCREW	1	
18	179036-91	BUSHING ASSEMBLY	1	
19	179597-91	BUSHING ASSEMBLY	1	
*20	179037-35	NEEDLE BAR	1	
*21	179008-05	BUSHING	1	
22	4545	SCREW	1	
23	179009-05	OIL FELT	1	
24	240018	O RING	1	
25	179039-92	COLLAR COMPLETE	1	
*26	179039-05	COLLAR	1	
27	7035	SCREW	1	
28	4546	SCREW	1	
29	179634-92	NEEDLE HOLDER ASSEMBLY	1	
*30	179634-05	NEEDLE HOLDER (2)	1	
31	4535	SCREW	2	
32	179766-35	RETAINER BRACKET	1	
33	179767-35	NEEDLE THREAD RETAINER	1	
34	179768-15	SPRING	2	
35	7117	SCREW	1	
36	7120	SCREW	1	
37	XXXXXX	NEEDLE	2	
38	XXXXXX	NEEDLE PLATE	1	
39	5484-HC	SCREW	2	
40	211392	BRACKET ASSEMBLY/NEEDLE PLATE	1	
*41	211393	BRACKET COMPLETE	1	
42	210073	KEY	2	
43	210025	CUSHION	2	
44	7052	SCREW	2	
45	179251-91	SUPPORT/NEEDLE PLATE	1	
46	XXXXXX	NEEDLE GUARD (FRONT)	1	
47	5328	SCREW	1	
48	XXXXXX	NEEDLE GUARD (REAR)	1	
49	7067	SCREW	1	
50	210930	SPRING WASHER	1	

PLEASE NOTE :

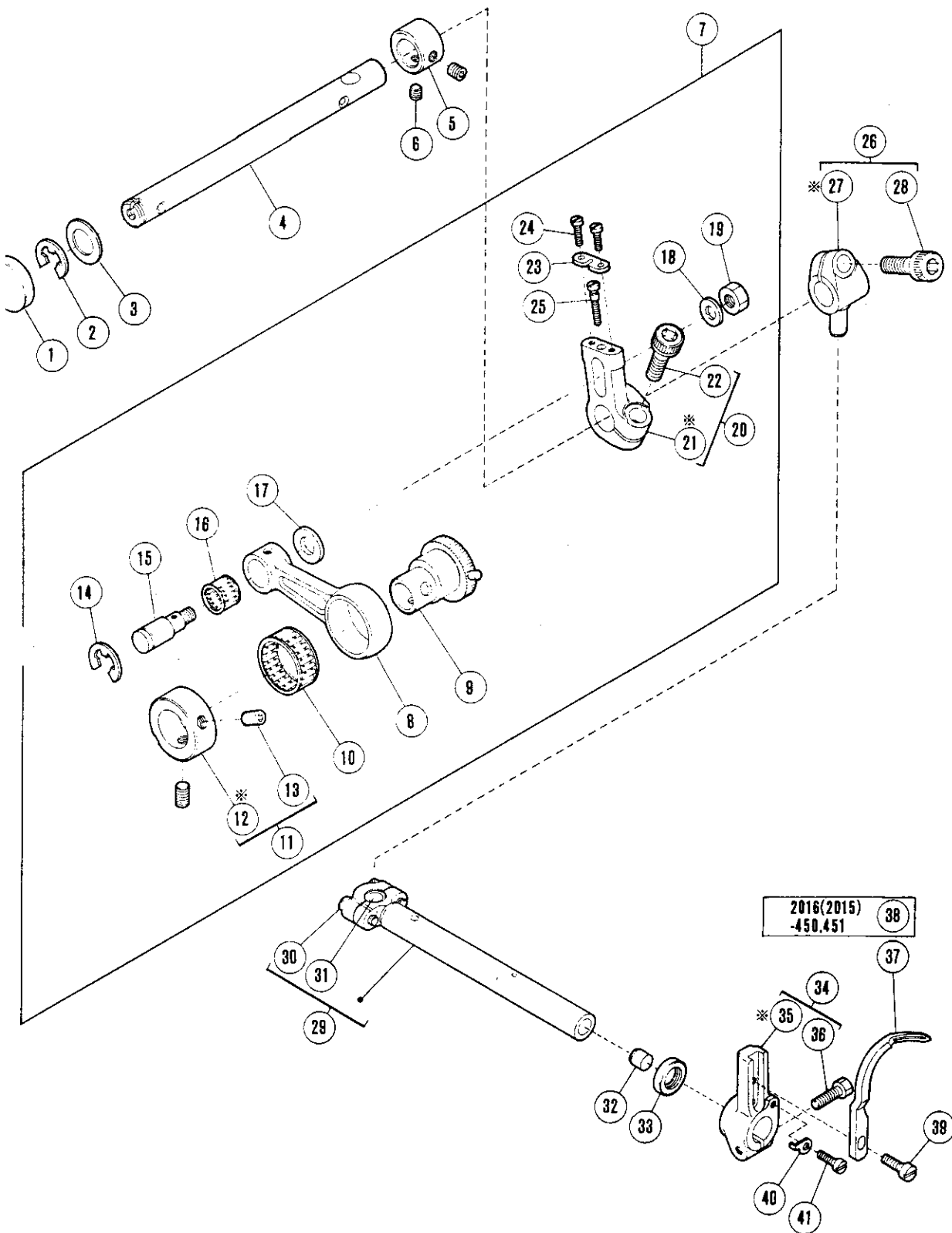
Notice) Parts with mark * are not for sale.

「XXXXXX」 is one of the gauge parts.



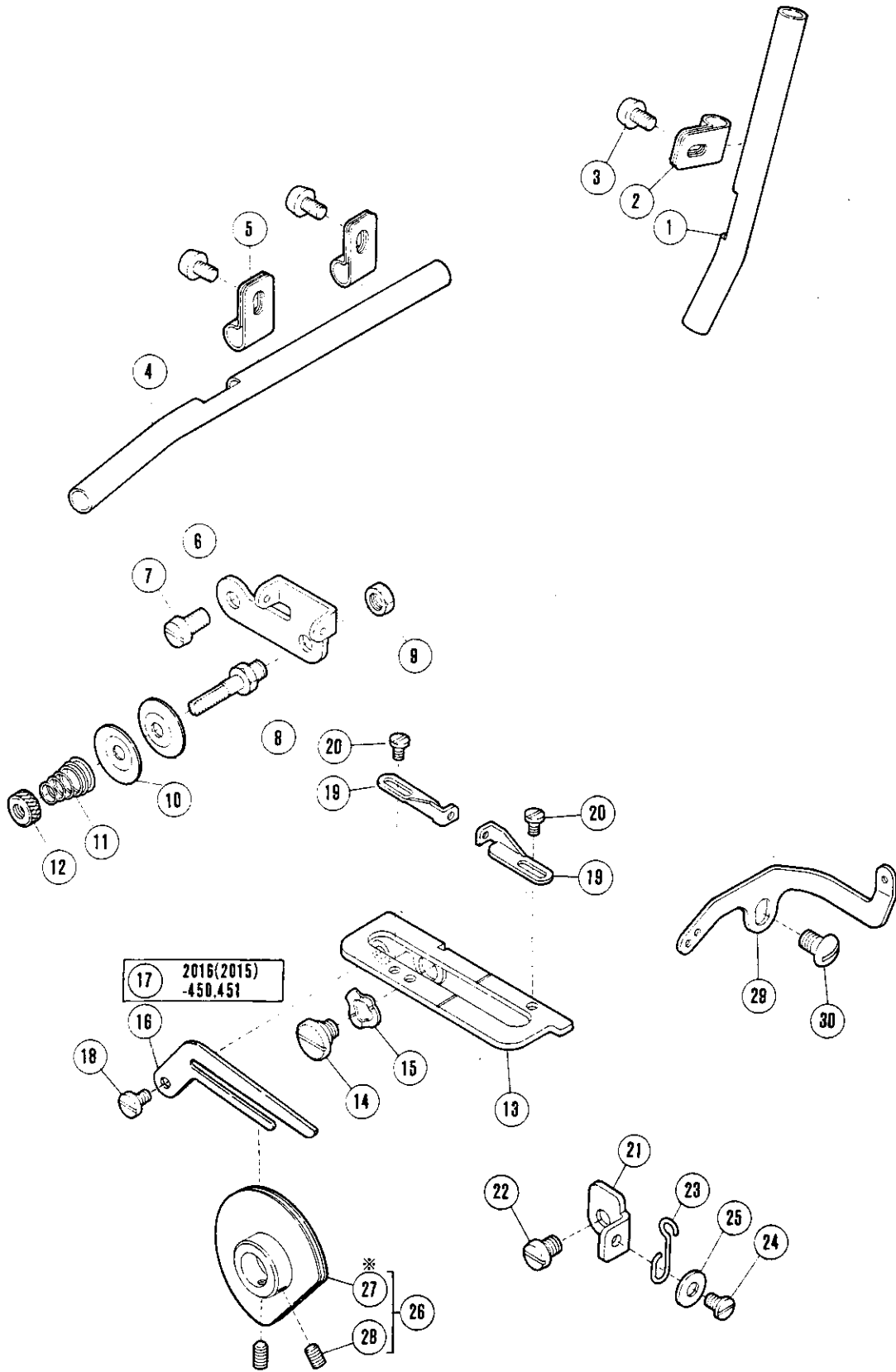
LOOPER DRIVE MECHANISM

REF. NO.	PART NO.	NAME	QT.	MEMO
1	240050	SPACER	1	
2	240029	WASHER	1	
3	179084-01	SHAFT ASSEMBLY	1	
4	240022	OIL SEAL	1	
5	179861-91	UPPER LOOPER HOLDER ASSEMBLY	1	
6	179860-91	UPPER LOOPER HOLDER ASSEMBLY	1	
7	179135-92	LEVER ASSEMBLY	1	
* 8	179135-05	LEVER	1	
9	7053	SCREW	1	
10	4545	SCREW	1	
11	179136-01	PIN	1	
12	179137-05	PIN	1	
13	202176	OIL WICK	1	
*14	179859-91	UPPER LOOPER HOLDER ASSEMBLY	1	
*15	179858-91	UPPER LOOPER HOLDER	1	
*16	179129-05	GUIDE/UPPER LOOPER HOLDER	1	
17	7054	SCREW	1	
18	179130-05	OIL FELT	1	
19	179132-05	UPPER LOOPER HOLDER BASE	1	
20	179133-05	COVER	1	
21	7033	SCREW	1	
22	7039	SCREW	2	
23	4510	SCREW	2	
24	179238-05	GASKET	1	
25	XXXXXX	UPPER LOOPER	1	
26	179066-02	PIN ASSEMBLY	1	
27	179066-05	PIN	1	
28	240038	PLUG	1	
29	4543	SCREW	1	
30	202178	OIL WICK	1	
31	240029	WASHER	1	
32	240050	SPACER	1	
33	179084-01	SHAFT ASSEMBLY	1	
34	240066	OIL SEAL	1	
35	179496-92	LOWER LOOPER HOLDER ASSEMBLY	1	
36	179496-05	LOWER LOOPER	1	
37	7055	SCREW	1	
38	XXXXXX	LOWER LOOPER	1	
39	7013	SCREW	1	



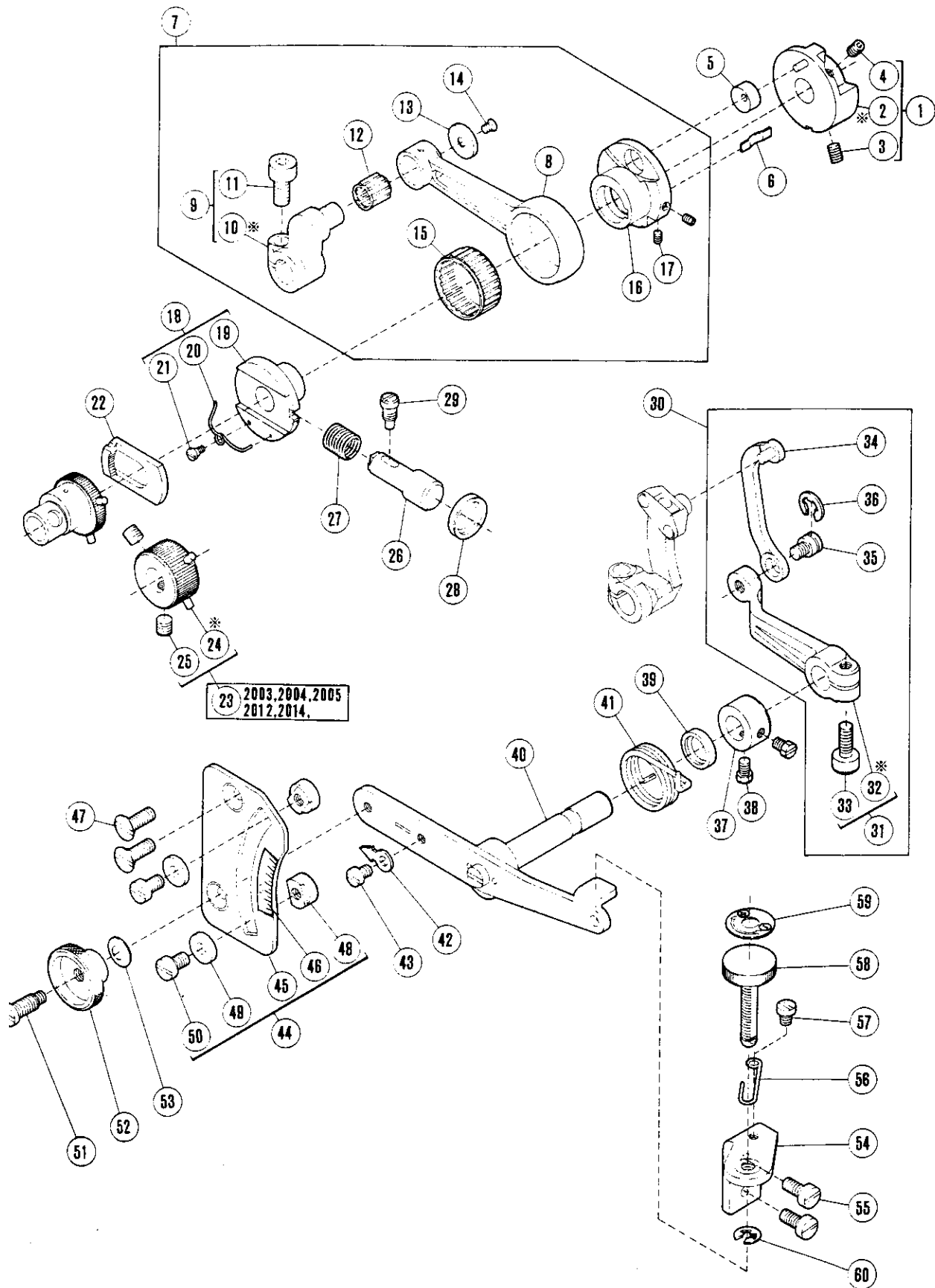
CHAINSTITCH LOOPER DRIVE MECHANISM(1)

REF. NO.	PART NO.	NAME	QT.	MEMO
1	206195	BUSHING COLLAR	1	
2	205061	RING	1	
3	240102	SPACER	1	
4	179149-91	SHAFT ASSEMBLY	1	
5	210293	COLLAR	1	
6	1457	SCREW	2	
7	179796-91	CRANKSHAFT CONNECTION ASSEMBLY	1	
8	179398-05	CONNECTION	1	
9	179782-91	ECCENTRIC ASSEMBLY	2	
10	206125-2	NEEDLE BEARING	1	
11	240047-92	COLLAR ASSEMBLY	1	
*12	240047	COLLAR	1	
13	4548	SCREW	2	
14	205061	RING	1	
15	179399-05	PIN	1	
16	240011-2	NEEDLE BEARING	1	
17	240049	WASHER	1	
18	240062	WASHER	1	
19	4805	NUT	1	
20	179401-92	CRANK ASSEMBLY	1	
*21	179401-05	CRANK	1	
22	4533	SCREW	1	
23	179402-05	GUIDE PLATE	1	
24	7032	SCREW	2	
25	179403-15	SCREW	1	
26	179391-92	CRANK ASSEMBLY	1	
*27	179391-05	CRANK	1	
28	4533	SCREW	1	
29	179389-92	CONNECTION ASSEMBLY	1	
30	7014	SCREW	2	
31	179390-05	ROD	1	
32	240034	PLUG	1	
33	204052A	OIL SEAL	1	
34	179407-92	LOOPER HOLDER ASSEMBLY	1	
*35	179407-05	LOOPER HOLDER	1	
36	7055	SCREW	1	
37	210357A	DOUBLE CHAINSTITCH LOOPER	1	
38	210357	DOUBLE CHAINSTITCH LOOPER	1	
39	7013	SCREW	1	
40	179637-15	STOPPER	1	
41	7010	SCREW	1	



CHAINSTITCH LOOPER DRIVE MECHANISM(2)

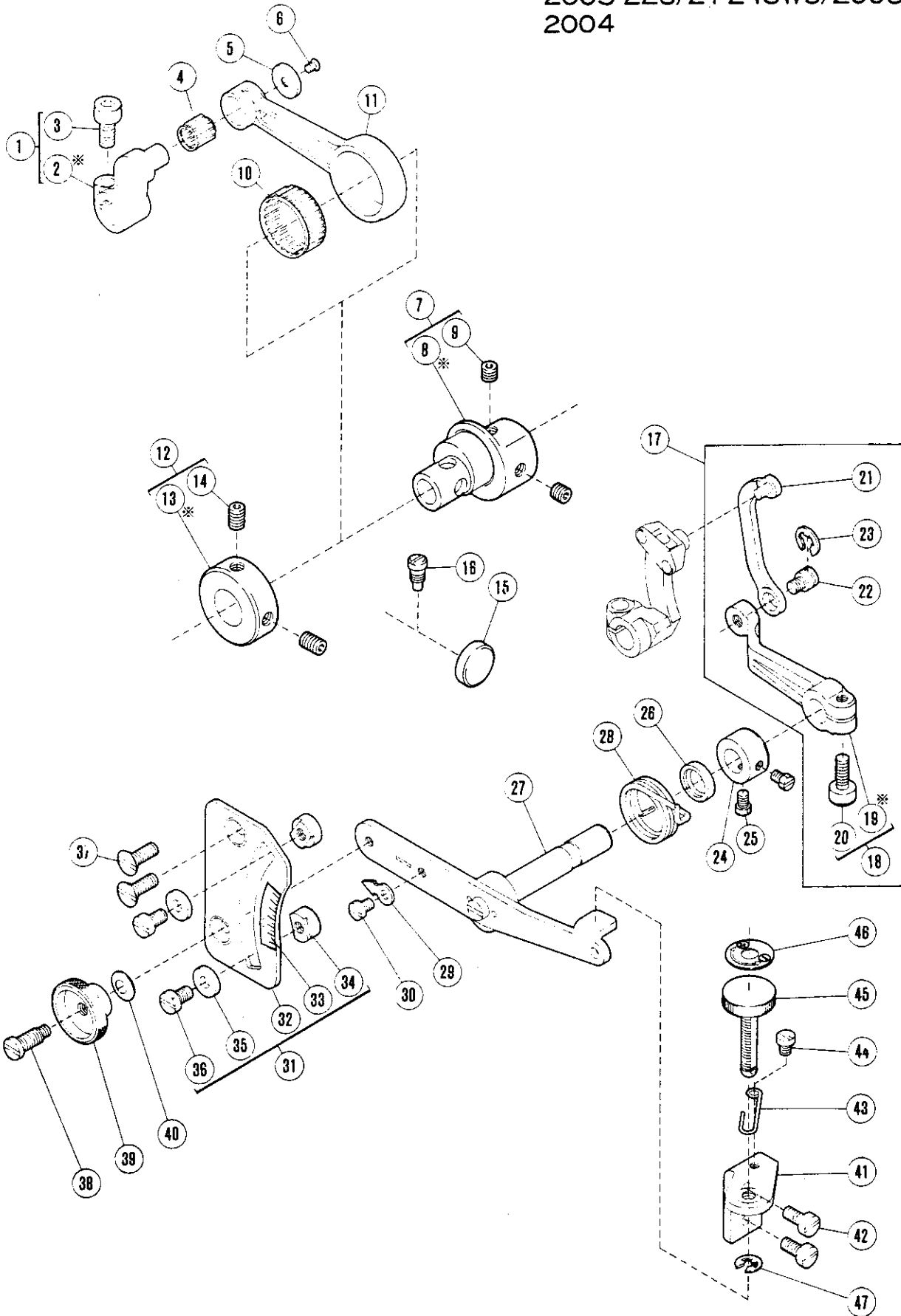
REF. NO.	PART NO.	NAME	QT.	MEMO
1	179497-25	PIPE	1	
2	206115	BRACKET	1	
3	7019	SCREW	1	
4	179480-25	THREAD TUBE	1	
5	206115	BRACKET	2	
6	179479-35	THREAD GUIDE	1	
7	7018	SCREW	1	
8	211387	TENSION POST	1	
9	3044	NUT	1	
10	137108	TENSION DISC	2	
11	211388	SPRING	1	
12	5526	NUT	1	
13	210304	BRACKET/LOOPER THREAD GUIDE	1	
14	7066	SCREW	1	
15	210307	WASHER	1	
16	179571-35	THREAD TAKEUP GUIDE	1	
17	210302	GUIDE/THREAD TAKEUP	1	
18	1216	SCREW	1	
19	210303	THREAD GUIDE	2	
20	5077	SCREW	2	
21	210308	STOPPER	1	
22	7017	SCREW	1	
23	210306	SPRING	1	
24	1234	SCREW	1	
25	137906	WASHER	1	
26	179498-92	LOOPER THREAD TAKEUP ASSEMBLY	1	
*27	179498-11	LOOPER THREAD TAKEUP	1	
28	4554	SCREW	2	
29	179487-35	THREAD GUIDE	1	
30	7069	SCREW	1	



FEED MECHANISM(1)

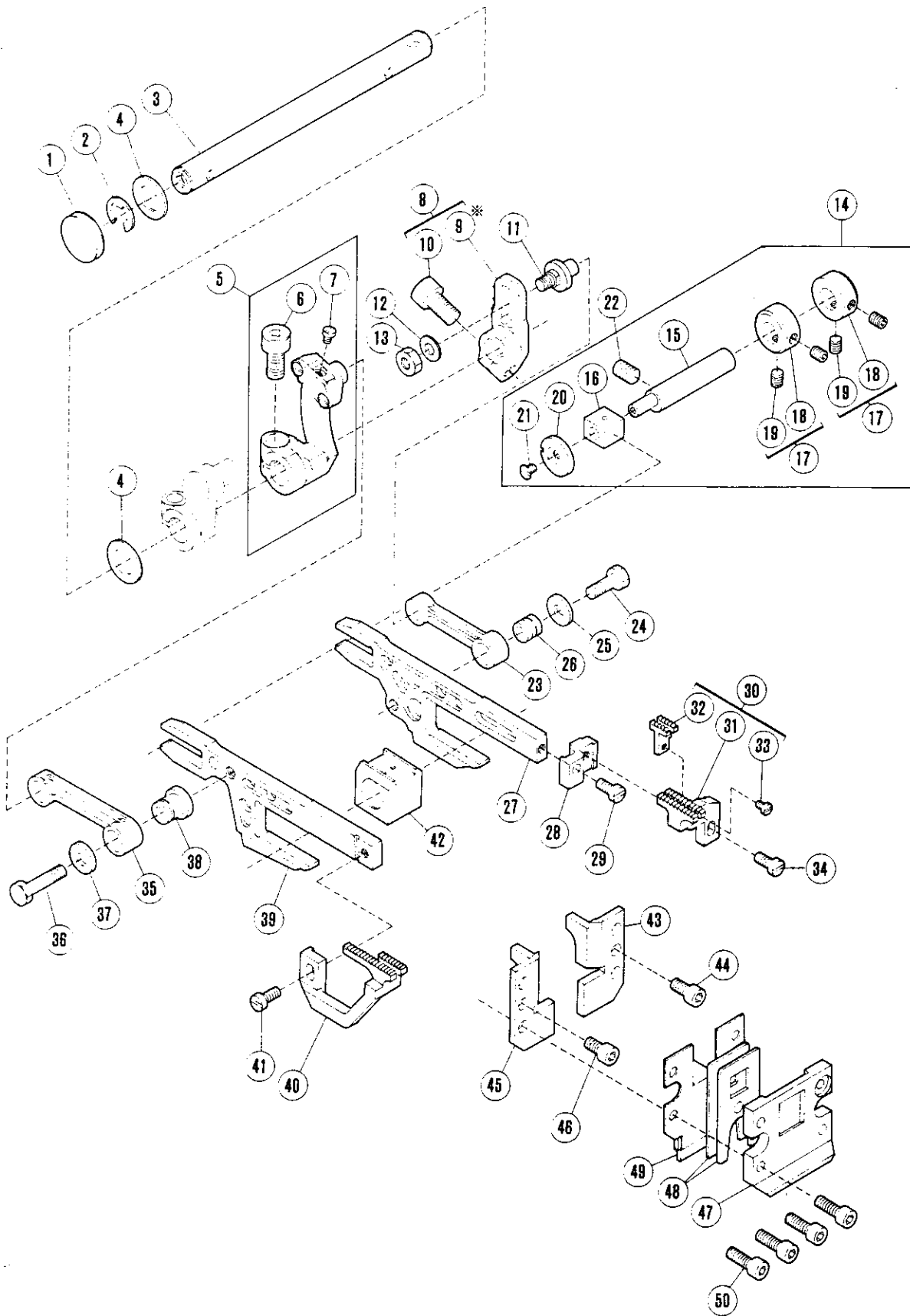
REF. NO.	PART NO.	NAME	QT.	MEMO
1	179788-92	REGULATOR ASSEMBLY	1	
* 2	179788-05	REGULATOR	1	
3	4538	SCREW	1	
4	4537	SCREW	1	
5	210129	GUDE/FEED ECCENTRIC	1	
6	210130	FLAT SPRING	1	
7	179790-91	CRANKSHAFT CONNECTION	1	
8	179142-05	CONNECTION	1	
9	179143-92	CRANK ASSEMBLY	1	
*10	179143-05	CRANK/FEED DRIVE	1	
11	4533	SCREW	1	
12	240011-2	NEEDLE BEARING	1	
13	240055	WASHER	1	
14	7041	SCREW	1	
15	240012-2	NEEDLE BEARING	1	
16	179789-05	ECCENTRIC	1	
17	4535	SCREW	1	
18	179791-91	ECCENTRIC ASSEMBLY	1	
19	179798-91	ECCENTRIC	1	
20	179152-15	SPRING	1	
21	7038	SCREW	1	
22	179153-05	RATCHET	1	
23	179794-91	WHEEL ASSEMBLY	1	
*24	179793-05	WHEEL	1	
25	4547	SCREW	1	
26	179203-15	PIN	1	
27	240025	SPRING	1	
28	210069	OIL SEAL	1	
29	7037	SCREW	1	
30	179180-91	LEVER ASSEMBLY	1	
31	179181-92	LEVER ASSEMBLY	1	
*32	179181-05	LEVER	1	
33	4531	SCREW	1	
34	179182-05	LINK	1	
35	7058	SCREW	1	
36	202522	RING	1	
37	201056	COLLAR	1	
38	5084	SCREW	1	
39	240063	OIL SEAL	1	
40	179192-91	LEVER ASSEMBLY	1	
41	179195-15	SPRING	1	
42	179504-35	INDICATOR	1	
43	7017	SCREW	1	
44	179196-91	REGULATING PLATE ASSEMBLY	1	
45	179197-11	REGULATING PLATE	1	
46	179545-95	INDECATION PLATE	1	
47	7050	SCREW	2	
48	179201-15	NUT	2	
49	240042	WASHER	2	
50	7027	SCREW	2	
51	7059	SCREW	1	
52	179202-15	NUT	1	
53	211301	SPRING	1	
54	179188-11	REGULATING BASE/DIFF. FEED	1	
55	7028	SCREW	2	
56	179191-15	SPRING	1	
57	7017	SCREW	1	
58	240059	SCREW	1	
59	179502-95	INDICATION PLATE	1	
60	201629	RING	1	

2003-226/21-243W5/Z006
2004



FEED MECHANISM(2)

REF. NO.	PART NO.	NAME	QT.	MEMO
1	179143-92	CRANK ASSEMBLY	1	
* 2	179143-05	CRANK/FEED DRIVE	1	
3	4533	SCREW	1	
4	240011-2	NEEDLE BEARING	1	
5	240055	WASHER	1	
6	7041	SCREW	1	
7	179757-92	ECCENTRIC	1	
* 8	179757-05	ECCENTRIC	1	
9	4547	SCREW	2	
10	240012-2	NEEDLE BEARING	1	
11	179142-05	CONNECTION	1	
12	240188-92	COLLAR	1	
*13	240188	COLLAR	1	
14	4548	SCREW	2	
15	210003	PLUG	1	
16	7037	SCREW	1	
17	179180-91	LEVER ASSEMBLY	1	
18	179181-92	LEVER ASSEMBLY	1	
*19	179181-05	LEVER	1	
20	4531	SCREW	1	
21	179182-05	LINK	1	
22	7058	SCREW	1	
23	202522	RING	1	
24	201056	COLLAR	1	
25	5084	SCREW	1	
26	240063	OIL SEAL	1	
27	179192-91	LEVER ASSEMBLY	1	
28	179195-15	SPRING	1	
29	179504-35	INDICATOR	1	
30	7017	SCREW	1	
31	179196-91	REGULATING PLATE ASSEMBLY	1	
32	179197-11	REGULATING PLATE	1	
33	179545-95	INDECATION PLATE	1	
34	179201-15	NUT	2	
35	240042	WASHER	2	
36	7027	SCREW	2	
37	7050	SCREW	2	
38	7059	SCREW	1	
39	179202-15	NUT	1	
40	211301	SPRING	1	
41	179188-11	REGULATING BASE/DIFF. FEED	1	
42	7028	SCREW	2	
43	179191-15	SPRING	1	
44	7017	SCREW	1	
45	240059	SCREW	1	
46	179502-95	INDICATION PLATE	1	
47	201629	RING	1	



FEED MECHANISM(3)

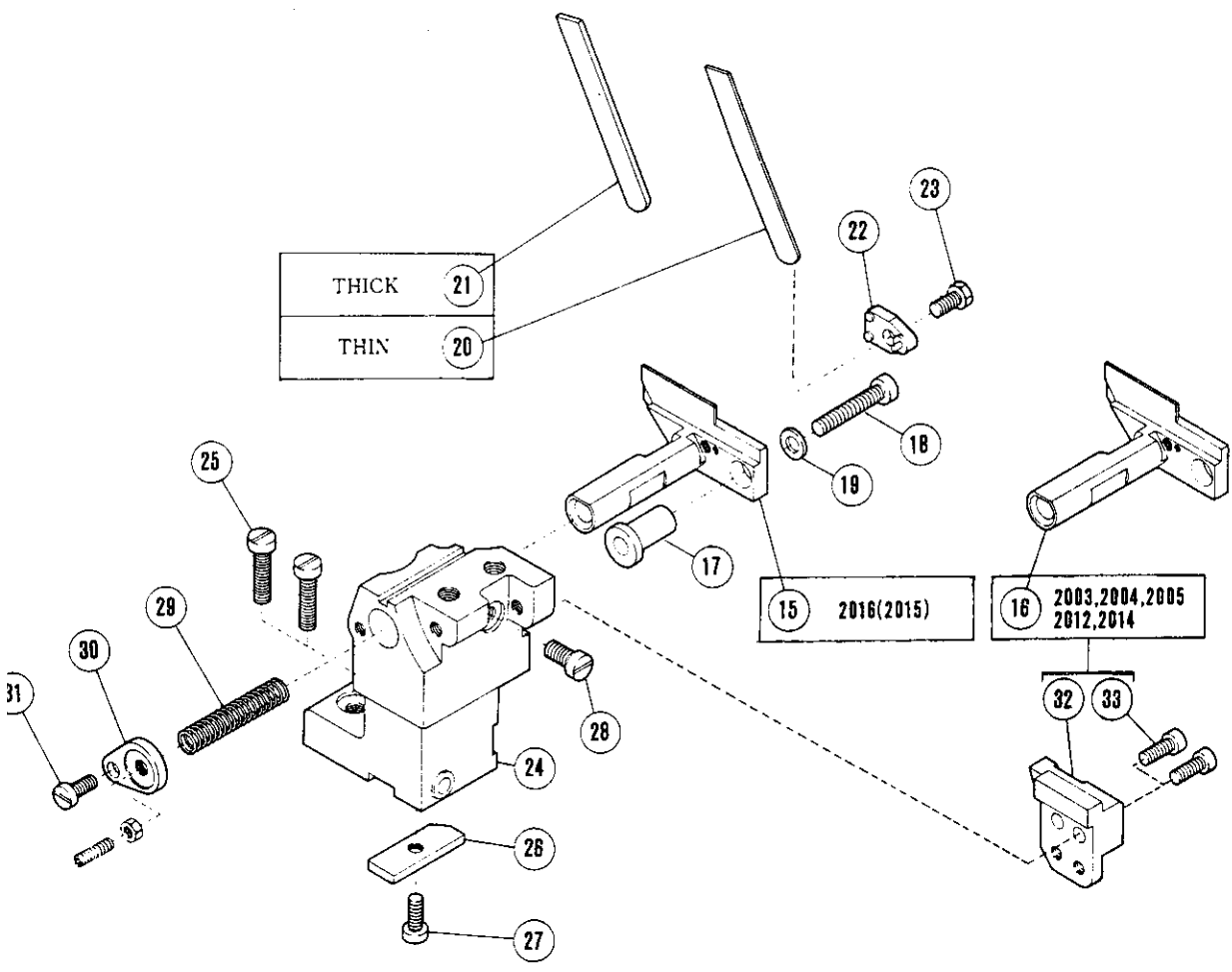
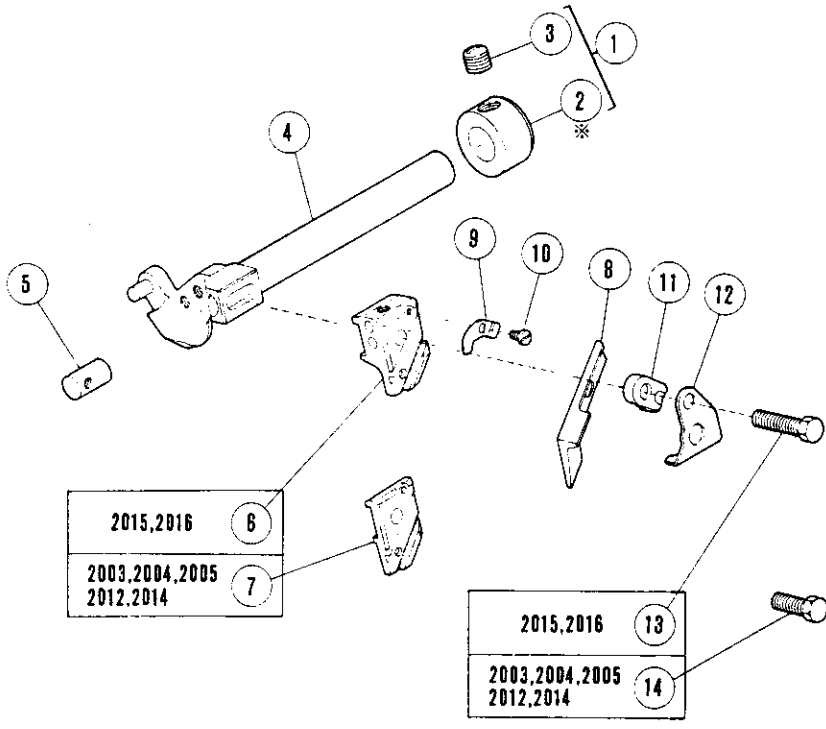
REF. NO.	PART NO.	NAME	QT.	MEMO
1	210003	PLUG	1	
2	205061	RING	1	
3	179149-91	SHAFT ASSEMBLY	1	
4	240102	SPACER	2	
5	179172-91	CRANK ASSEMBLY	1	
6	4533	SCREW	1	
7	7031	SCREW	1	
8	179164-92	CRANK ASSEMBLY	1	
* 9	179164-05	CRANK	1	
10	4533	SCREW	1	
11	179165-05	PIN	1	
12	240062	WASHER	1	
13	4805	NUT	1	
14	179176-91	PIN ASSEMBLY	1	
15	179177-05	FEED BAR PIN	1	
16	179178-05	BLOCK	1	
17	240004-92	COLLAR ASSEMBLY	2	
18	240004	COLLAR	2	
19	4543	SCREW	4	
20	204439A	WASHER	1	
21	7041	SCREW	1	
22	4541	SCREW	1	
23	179159-05	LINK	1	
24	7056	SCREW	1	
25	240039	WASHER	1	
26	179160-05	BUSHING	1	
27	179158-05	MAIN FEED BAR	1	
28	210343	BRACKET/MAIN FEED DOG	1	
29	1175-2	SCREW	1	
30	XXXXXX	MAIN FEED DOG	1	
31	XXXXXX	MAIN FEED DOG COMPLETE	1	
32	XXXXXX	AUXILIARY FEED DOG	1	
33	5492	SCREW	1	
34	5590	SCREW	1	
35	179169-05	LINK	1	
36	7057	SCREW	1	
37	240039	WASHER	1	
38	179170-05	BUSHING	1	
39	179168-05	DIFFERENTIAL FEED BAR	1	
40	XXXXXX	DEFFERENTIAL FEED DOG	1	
41	1175-2	SCREW	1	
42	179156-05	BLOCK	1	
43	179227-05	FEED BAR GUIDE (RIGHT)	1	
44	4527	SCREW	1	
45	179228-05	FEED BAR GUIDE (LEFT)	1	
46	4527	SCREW	1	
47	179229-05	GUIDE/FEED BAR OIL SEAL	1	
48	179231-05	OIL SEAL	2	
49	179555-91	FEED BAR COVER COMPLETE	1	
50	4528	SCREW	4	

PLEASE NOTE :

Notice) Parts with mark * are not for sale.

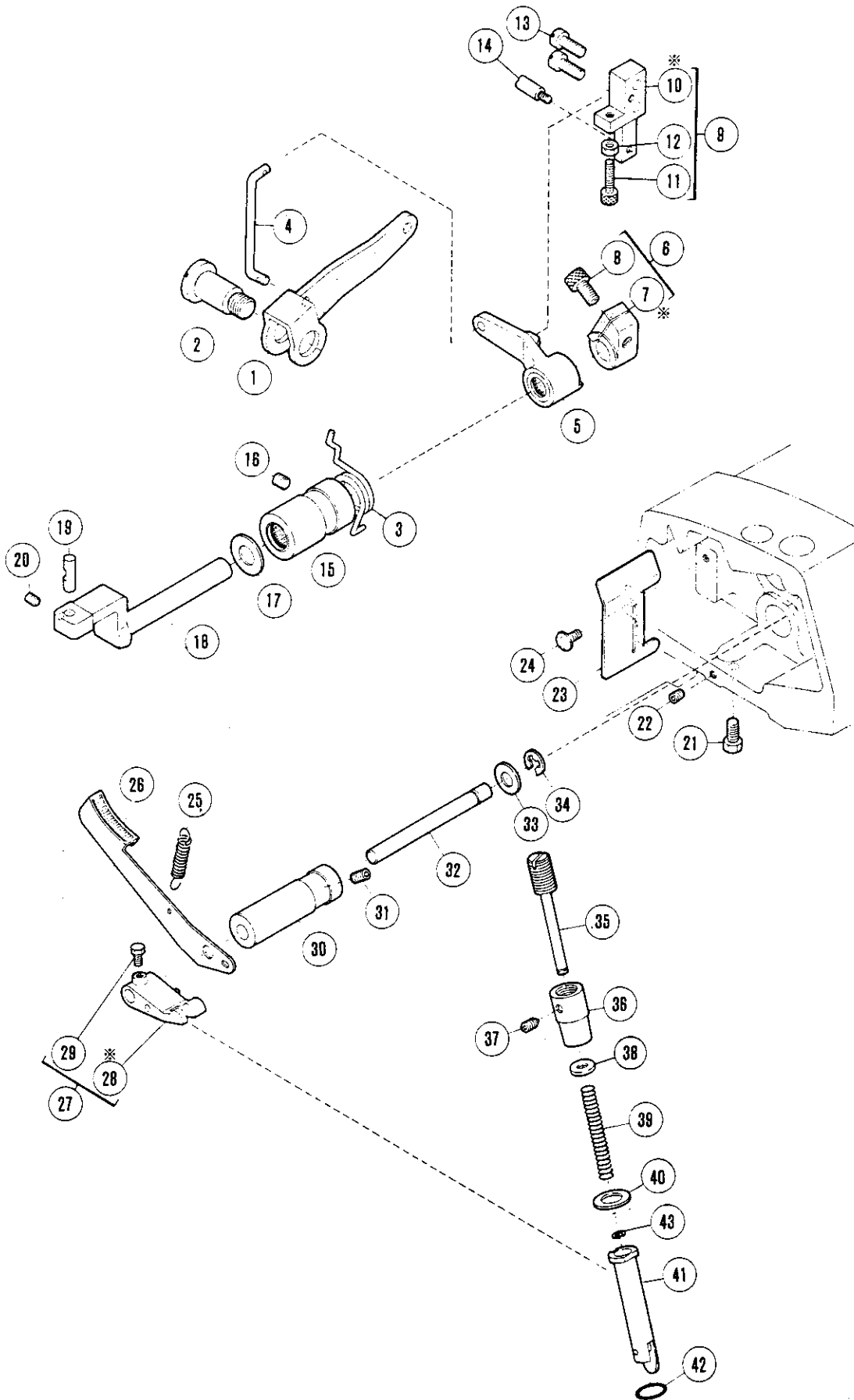
— 51 —

「×××××」 is one of the gauge parts.



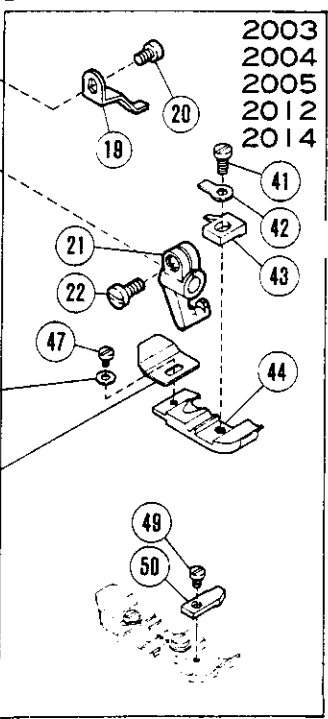
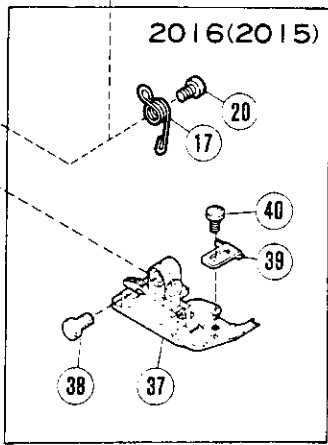
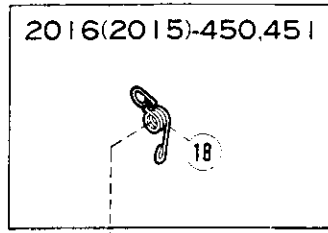
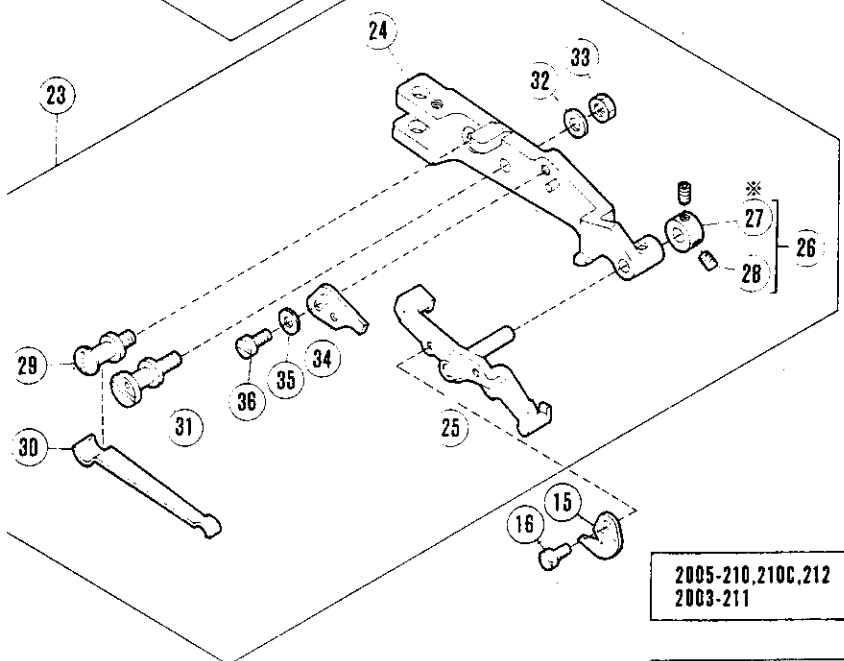
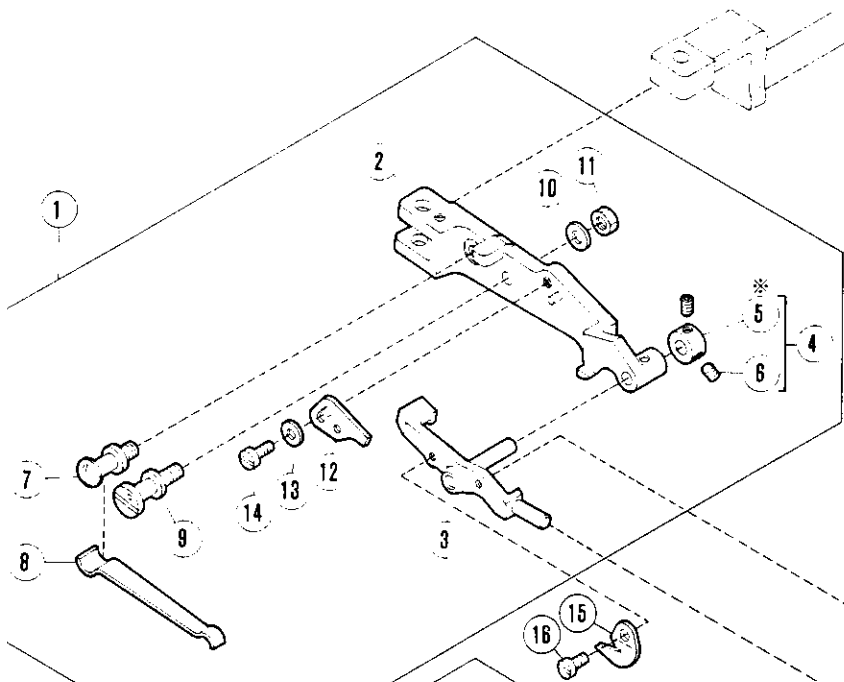
KNIFE DRIVE MECHANISM

REF. NO.	PART NO.	NAME	QT.	MEMO
1	240035-92	COLLAR ASSEMBLY	1	
* 2	240035	COLLAR	1	
3	4547	SCREW	1	
4	179344-01	UPPER KNIFE LEVER	1	
5	179339-05	PIN	1	
6	179406-05	UPPER KNIFE CLAMP	1	
7	179338-05	UPPER KNIFE BLOCK	1	
8	210755	ANGLED KNIFE	1	
9	179510-15	WASHER	1	
10	7061	SCREW	1	
11	179340-15	UPPER KNIFE CLAMP	1	
12	179341-15	WASTE GUARD	1	
13	7025	SCREW	1	
14	7022	SCREW	1	
15	210316	LOWER KNIFE HOLDER	1	
16	210179	LOWER KNIFE HOLDER	1	
17	210180	GUIDE/LOWER KNIFE HOLDER	1	
18	7026	SCREW	1	
19	303448	WASHER	1	
20	201127	LOWER KNIFE/THIN	1	
21	202295	LOWER KNIFE/THICK	1	
22	210184	CLAMP/LOWER KNIFE	1	
23	2193	SCREW	1	
24	179211-15	BRACKET	1	
25	7030	SCREW	2	
26	179209-15	KEY	1	
27	7020	SCREW	1	
28	7028	SCREW	1	
29	202340	SPRING	1	
30	179212-15	SPRING RETAINER	1	
31	7020	SCREW	1	
32	210215	BRACKET/NEEDLE COOLER	1	
33	7020	SCREW	2	



PRESSER FOOT MECHANISM(1)

REF. NO.	PART NO.	NAME	QT.	MEMO
1	179116-15	LEVER	1	
2	7060	SCREW	1	
3	179651-15	SPRING	1	
4	179650-15	LINK/FOOT LIFT LEVER	1	
5	179113-92	LEVER ASSEMBLY	1	
6	179119-12	COLLAR ASSEMBLY	1	
* 7	179119-15	COLLAR	1	
8	4533	SCREW	1	
9	179652-92	STOPPER COMPLETE	1	
*10	179652-15	STOPPER	1	
11	4529	SCREW	1	
12	4821	NUT	1	
13	7029	SCREW	2	
14	5232	SCREW	1	
15	179110-01	BUSHING ASSEMBLY	1	
16	4541	SCREW	1	
17	202922	WASHER	1	
18	179108-05	SHAFT/FOOT LIFT	1	
19	208549	PIN	1	
20	4543	SCREW	1	
21	7069	SCREW	1	
22	4543	SCREW	1	
23	179491-15	OIL SHIELD	1	
24	7082	SCREW	1	
25	21123-05	SPRING	1	
26	179062-15	LEVER	1	
27	179717-92	CRANK ASSEMBLY	1	
*28	179718-05	CRANK	1	
29	4325	SCREW	1	
30	179064-05	BUSHING	1	
31	4539	SCREW	1	
32	179063-05	SHAFT	1	
33	204091	WASHER	1	
34	200983	RING	1	
35	179057-05	THUMB SCREW ASSEMBLY	1	
36	179056-15	SOCKET	1	
37	4546	SCREW	1	
38	200098	WASHER	1	
39	240032	SPRING	1	
40	240102	SPACER	1	
41	179715-92	PRESSER ARM GUIDE COMPLETE	1	
42	240020	O RING	1	
43	306142	RING	1	

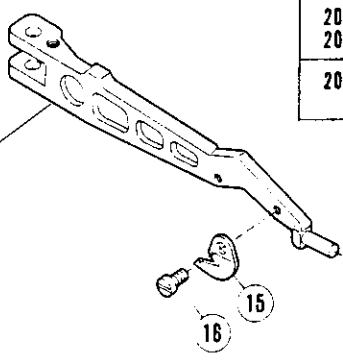


2005-210,210C,212
2003-211

2005-212
2004-253,236,183T

2005-210,210C
211,212

2015,2016-450,451
2004-183T
2003,2004-134A



PRESSER FOOT MECHANISM(2)

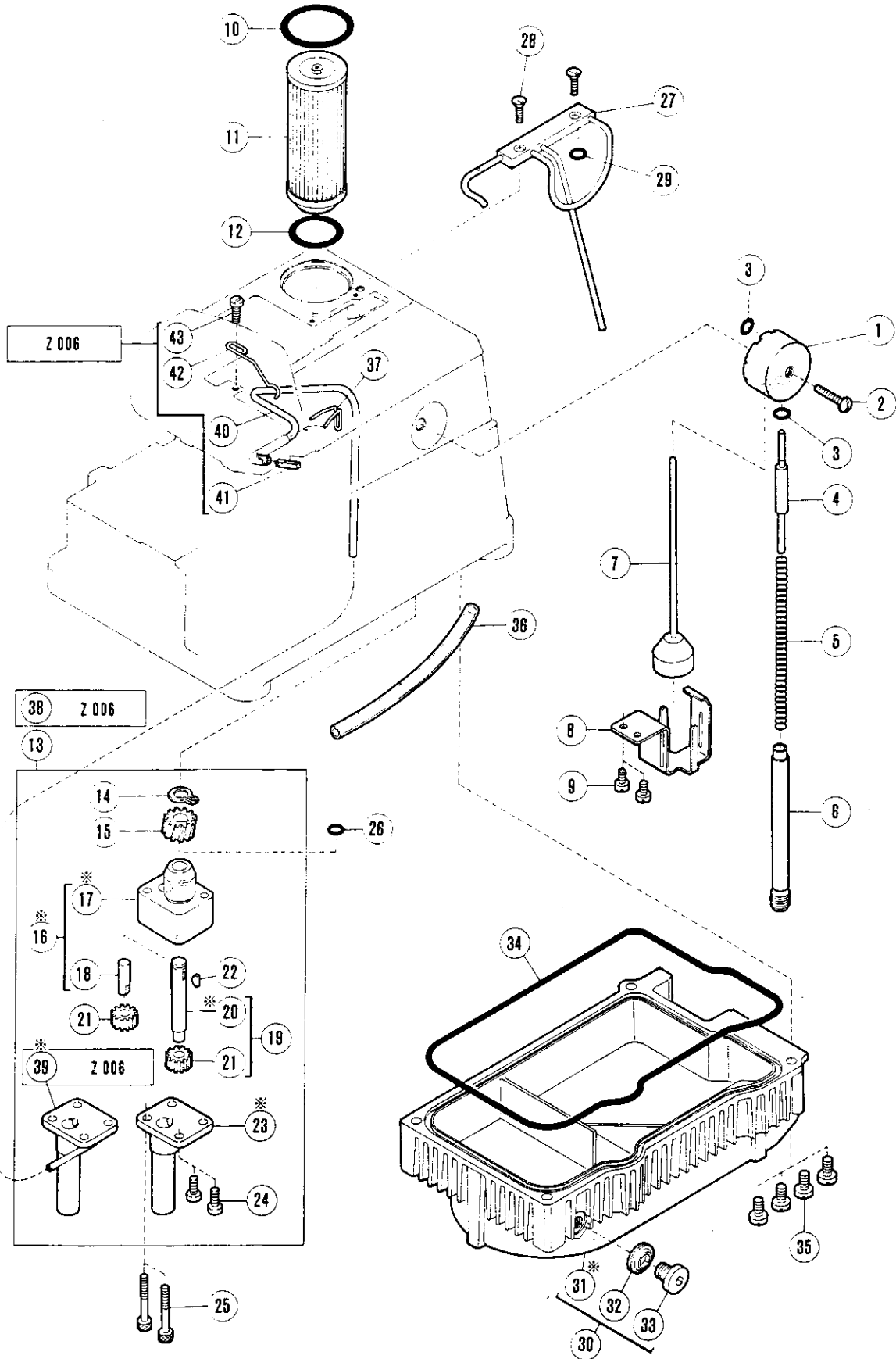
REF. NO.	PART NO.	NAME	QT.	MEMO
1	179023-91	FLOATING PRESSER ARM ASSEMBLY	1	
2	179012-92	PRESSER ARM COMPLETE	1	
3	179024-92	LEVER	1	
4	240028-92	COLLAR ASSEMBLY	1	
* 5	240028	COLLAR	1	
6	4535	SCREW	2	
7	179018-15	LATCH	1	
8	179017-15	FLAT SPRING	1	
9	179019-15	THUMB SCREW	1	
10	303448	WASHER	1	
11	4821	NUT	1	
12	179020-15	STOPPER	1	
13	202875	WASHER	1	
14	7010	SCREW	1	
15	179546-15	CHAIN CUTTER	1	
16	7008	SCREW	1	
17	179478-15	SPRING	1	
18	179810-15	SPRING	1	
19	179503-15	STOPPER	1	
20	7008	SCREW	1	
21	208525-B	BRACKET/PRESSER FOOT	1	
22	5328	SCREW	1	
23	179011-91	FLOATING PRESSER ARM ASSEMBLY	1	
24	179012-92	PRESSER ARM COMPLETE	1	
25	179014-92	LEVER	1	
26	240028-92	COLLAR ASSEMBLY	1	
*27	240028	COLLAR	1	
28	4535	SCREW	2	
29	179018-15	LATCH	1	
30	179017-15	FLAT SPRING	1	
31	179019-15	THUMB SCREW	1	
32	303448	WASHER	1	
33	4821	NUT	1	
34	179020-15	STOPPER	1	
35	202875	WASHER	1	
36	7010	SCREW	1	
37	XXXXXX	PRESSER FOOT	1	
38	5328	SCREW	1	
39	208531	FABRIC GUARD	1	
40	5030	SCREW	1	
41	5089	SCREW	1	
42	201156	SET PLATE/PRESSER FOOT	1	
43	XXXXXX	PRESSER FOOT FINGER	1	
44	XXXXXX	PRESSER FOOT	1	
45	210584	UNCURLER	1	
46	211600	UNCURLER	1	
47	5030	SCREW	1	
48	210585	WASHER	1	
49	1231	SCREW	1	
50	201265B	FABRIC GURAD	1	
51	179035-25	PRESSER ARM	1	

Notice) Parts with mark ※ are not for sale.

— 57 —

PLEASE NOTE :

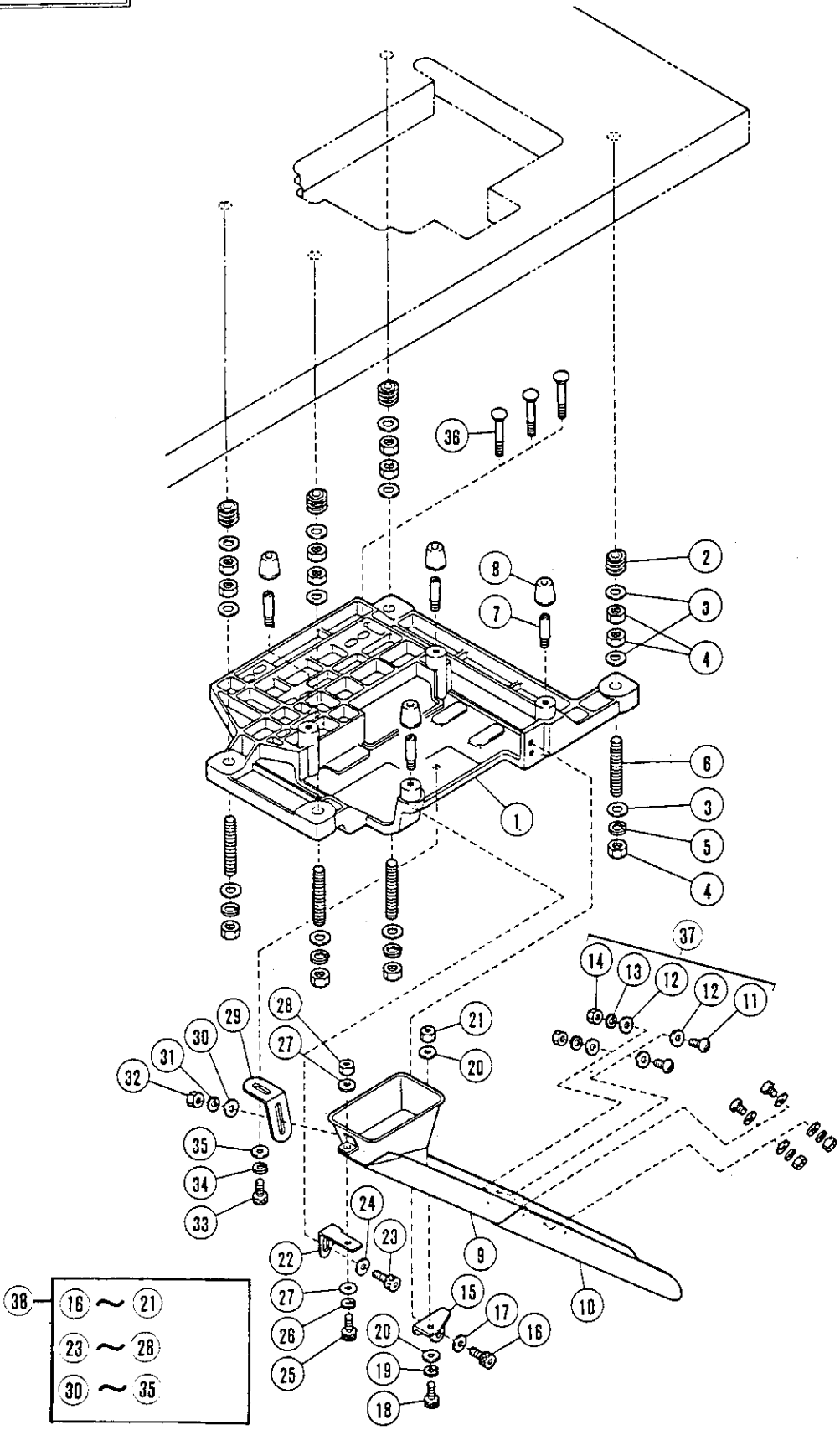
「XXXXXX」 is one of the gauge parts.



LUBRICATING MECHANISM

REF. NO.	PART NO.	NAME	QT.	MEMO
1	179273-95	OIL SIGHT GAUGE	1	
2	7047	SCREW	1	
3	240017	O RING	2	
4	179265-45	PIN	1	
5	240128	SPRING	1	
6	179271-01	PIPE ASSEMBLY	1	
7	179255-01	OIL INDICATOR ASSEMBLY	1	
8	179489-15	OIL INDICATOR SUPPORT	1	
9	7018	SCREW	2	
10	240016	O RING	1	
11	240051	FILTER	1	
12	240015	O RING	1	
13	179087-91	OIL PUMP ASSEMBLY	1	
14	206224	RING	1	
15	179098-05	WORM WHEEL	1	
*16	179088-02	OIL PUMP BASE ASSEMBLY	1	
*17	179088-05	OIL PUMP BASE	1	
18	179090-05	PIN	1	
19	179091-05	PUMP GEAR	1	
*20	179093-05	SHAFT	1	
21	179092-05	GEAR	2	
22	240008	KEY	1	
*23	179094-01	CASING PLATE ASSEMBLY	1	
24	7020	SCREW	2	
25	4530	SCREW	2	
26	208949	O RING	1	
27	179099-21	BY-PASS ASSEMBLY	1	
28	7042	SCREW	2	
29	208949	O RING	1	
30	179260-91	OIL RESERVOIR ASSEMBLY	1	
*31	179261-05	OIL RESERVOIR	1	
32	240060	WASHER	1	
33	7051	SCREW	1	
34	179572-05	GASKET	1	
35	7034	SCREW	4	
36	202929	OIL TUBE	1	
37	179690-05	SPRING	1	
38	179638-91	OIL PUMP ASSEMBLY	1	
*39	179639-01	CASING PLATE ASSEMBLY	1	
40	240109	TUBE	1	
41	240023	FELT	1	
42	179647-05	CLAMP	1	
43	7034	SCREW	1	

CORRECT VERSION



CORRECT VERSION

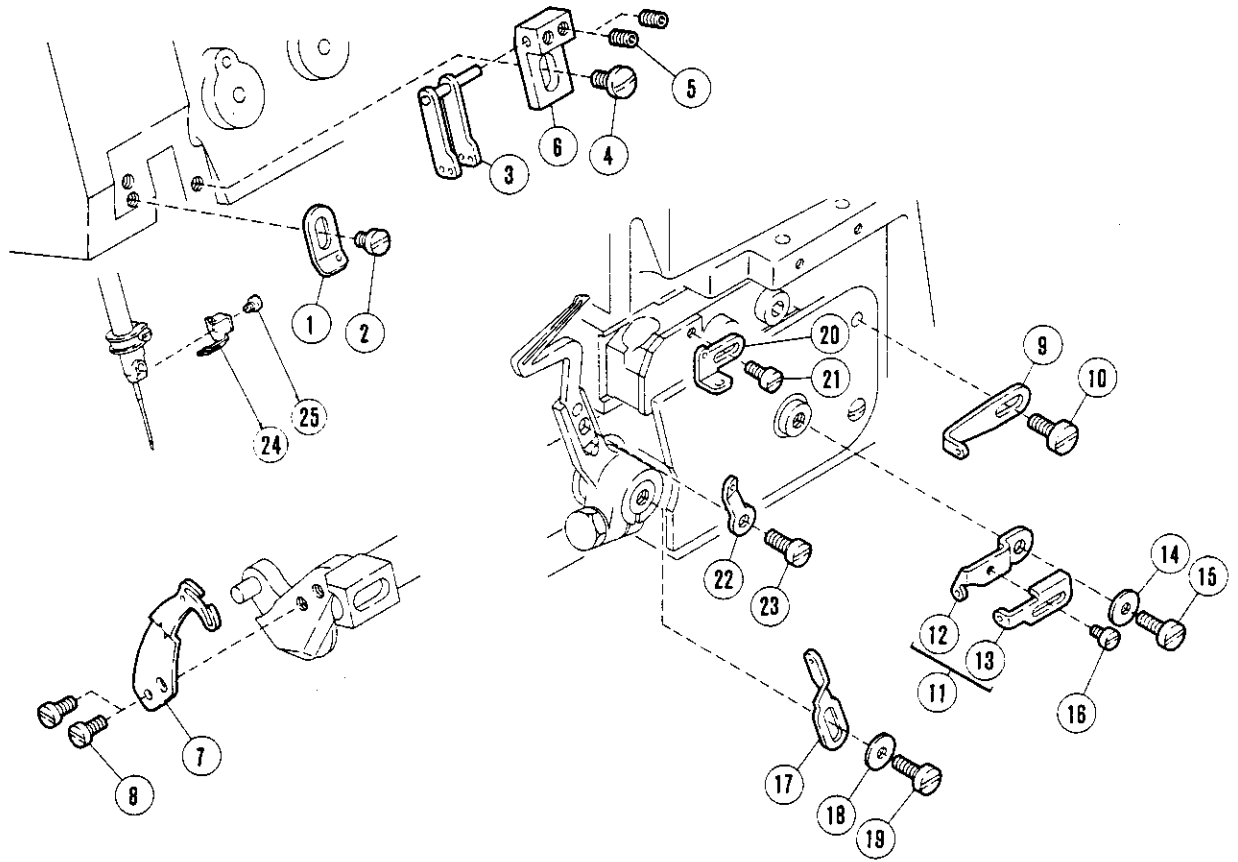
SEMI-SUBMERGED INSTALLATION PARTS

REF. NO.	PART NO.	NAME	QT.	MEMO
1	38643-05	MACHINE REST BOARD	1	
2	240075	NUT	4	
3	303536	WASHER	12	
4	4813	NUT	12	
5	303537	SPRING WASHER	4	
6	240074	BOLT	4	
7	7118	SCREW	4	
8	179483-05	CUSHION RUBBER	4	
9	38702-AA	WASTE CHUTE (UPPER)	1	
10	38736-AA	WASTE CHUTE (LOWER)	1	
11	7069	SCREW	4	
12	303448	WASHER	8	
13	201252	SPRING WASHER	4	
14	4804	NUT	4	
15	38714-25	BRACKET	1	
16	4531	SCREW	1	
17	204585	WASHER	1	
18	4531	SCREW	1	
19	303067	SPRING WASHER	1	
20	204585	WASHER	2	
21	4820	NUT	1	
22	38712-25	BRACKET	1	
23	4531	SCREW	1	
24	204585	WASHER	1	
25	4531	SCREW	1	
26	303067	SPRING WASHER	1	
27	204585	WASHER	2	
28	4820	NUT	1	
29	38711-25	BRACKET	1	
30	204585	WASHER	1	
31	303067	SPRING WASHER	1	
32	4820	NUT	1	
33	4500	SCREW	1	
34	303067	SPRING WASHER	1	
35	204585	WASHER	1	
36	4755	BOLT	3	
37	9045	WASTE CHUTE SET	1	
38	9044	WASTE CHUTE SET	1	

296-12-16599 (No.9549)

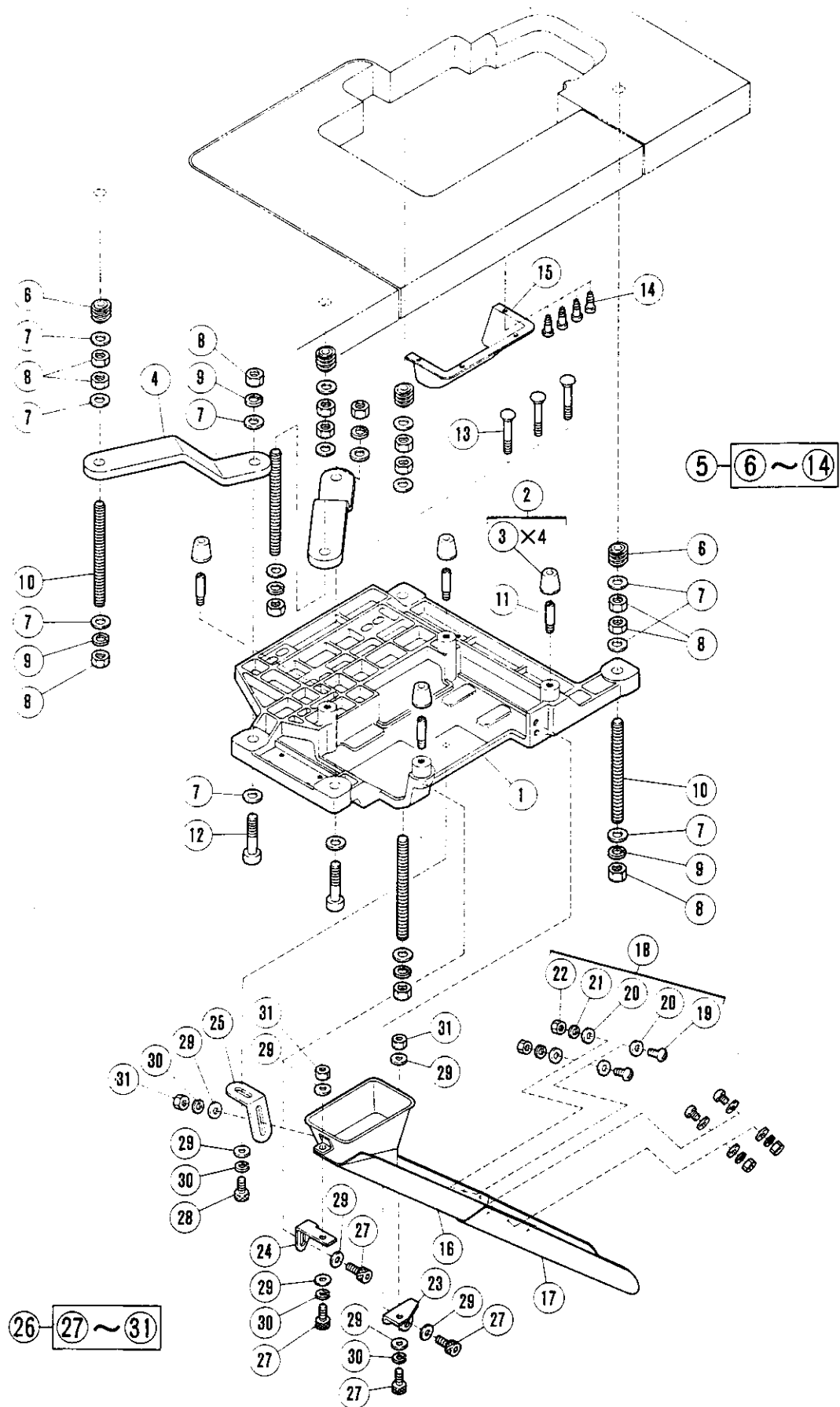
4/21/80

2004-183T



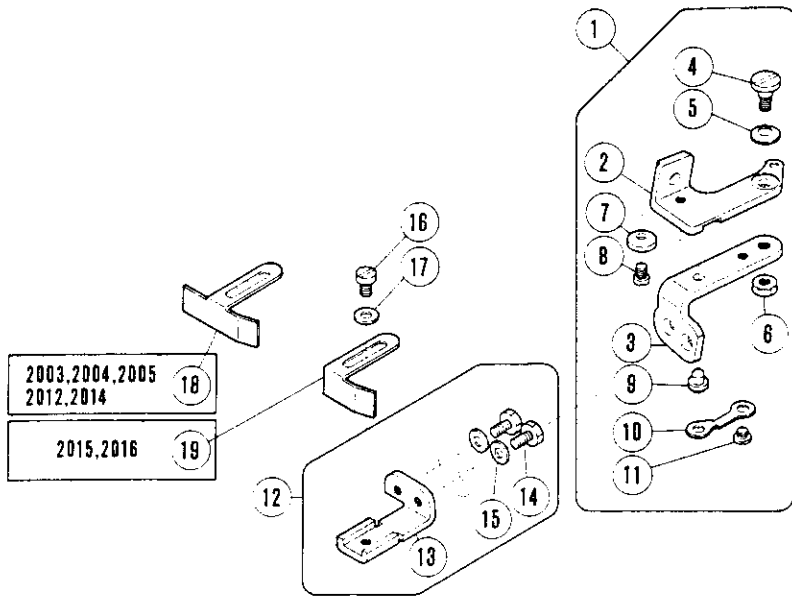
THREAD TENSION MECHANISM

REF. NO.	PART NO.	NAME	QT.	MEMO
1	179636-35	THREAD GUIDE	1	
2	7017	SCREW	1	
3	179515-31	THREAD GUIDE	1	
4	7069	SCREW	1	
5	4535	SCREW	2	
6	179446-15	BRACKET	1	
7	179775-35	THREAD TAKEUP	1	
8	7062	SCREW	2	
9	179828-35	THREAD GUIDE	1	
10	7020	SCREW	1	
11	179825-91	THREAD TAKEUP COMPLETE	1	
12	179826-35	THREAD TAKEUP	1	
13	179827-35	THREAD TAKEUP	1	
14	303448	WASHER	1	
15	7020	SCREW	1	
16	7008	SCREW	1	
17	179586-35	THREAD TAKEUP	1	
18	303448	WASHER	1	
19	7020	SCREW	1	
20	179585-35	THREAD GUIDE	1	
21	7033	SCREW	1	
22	210353	THREAD GUIDE	1	
23	7013	SCREW	1	
24	179431-35	THREAD GUIDE	1	
25	7120	SCREW	1	

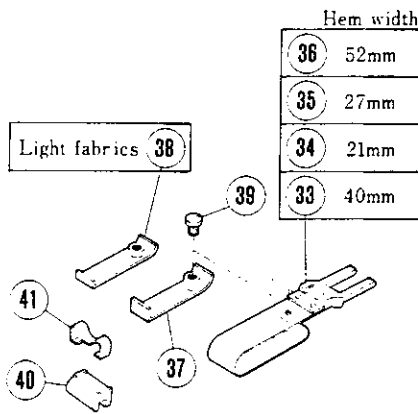
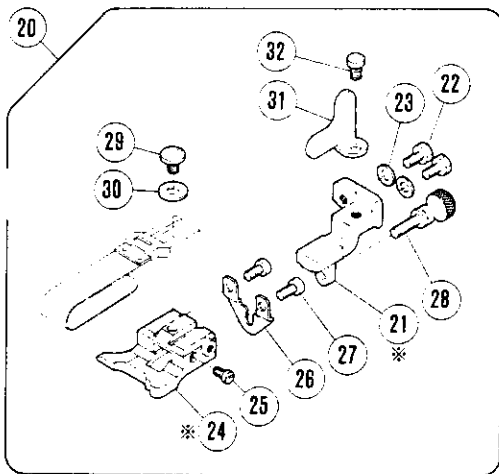


FULLY-SUBMERGED INSTALLATION PARTS

REF. NO.	PART NO.	NAME	QT.	MEMO
1	38643-05	MACHINE REST BOARD	1	
2	9041	CUSHION RUBBER (SET)	1	
3	179483-05	CUSHION RUBBER	4	
4	38681-35	BRACKET	2	
5	9043	MACHINE REST BOARD SET	1	
6	240075	NUT	4	
7	303536	WASHER	16	
8	4813	NUT	14	
9	303537	SPRING WASHER	6	
10	240074	BOLT	4	
11	7118	SCREW	4	
12	4552	SCREW	2	
13	4755	BOLT	3	
14	4917	SCREW	4	
15	38716-AA	WASTE CHUTE TOP	1	
16	38702-AA	WASTE CHUTE (UPPER)	1	
17	38736-AA	WASTE CHUTE (LOWER)	1	
18	9045	WASTE CHUTE SET	1	
19	7069	SCREW	4	
20	303448	WASHER	8	
21	201252	SPRING WASHER	4	
22	4804	NUT	4	
23	38714-25	BRACKET	1	
24	38712-25	BRACKET	1	
25	38711-25	BRACKET	1	
26	9044	WASTE CHUTE SET	1	
27	4531	SCREW	4	
28	4500	SCREW	1	
29	204585	WASHER	8	
30	303067	SPRING WASHER	4	
31	4820	NUT	3	

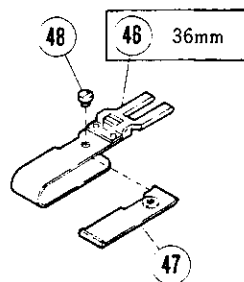
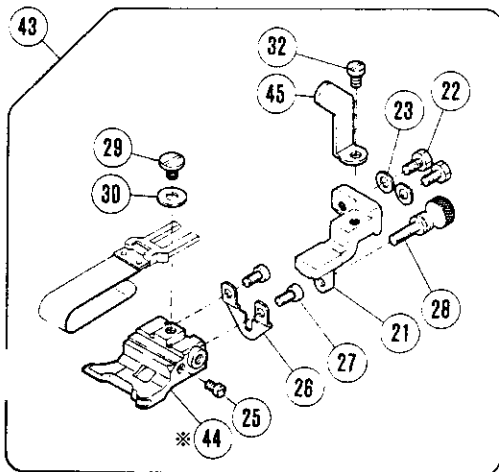


2005-210, 210C



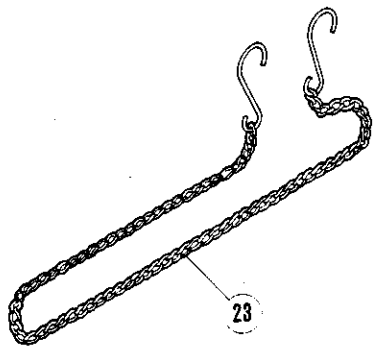
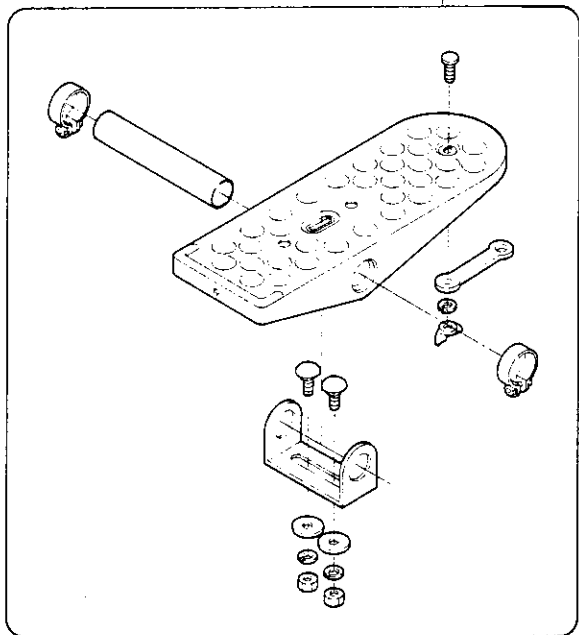
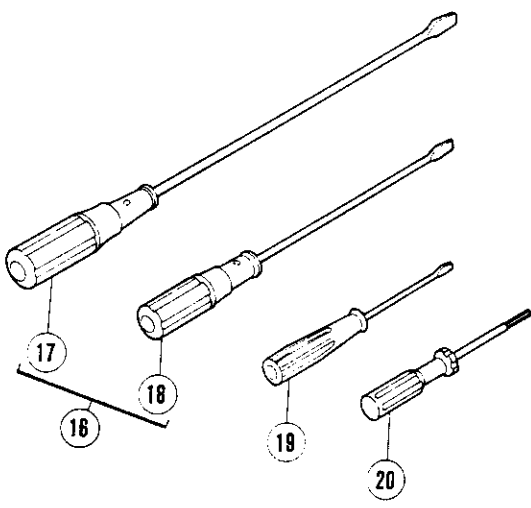
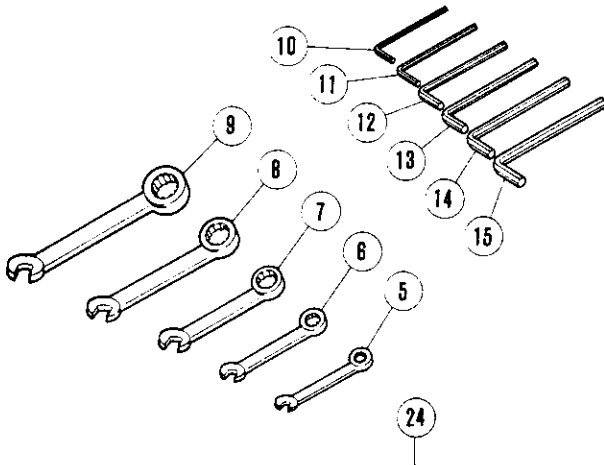
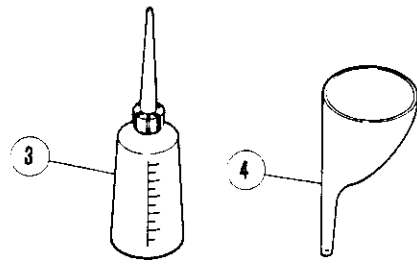
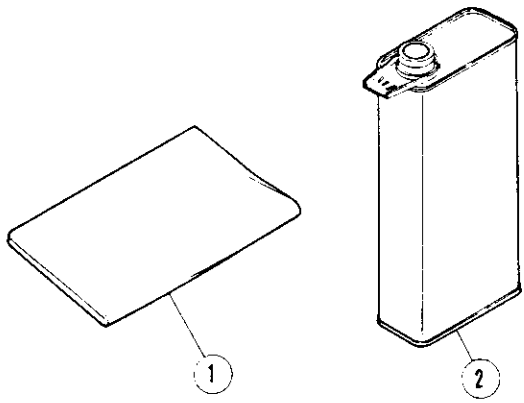
2005-210, 210C
2003-211
2005-212

2005-212



CLOTH GUIDE

REF. NO.	PART NO.	NAME	QT.	MEMO
1	210685	CLOTH GUIDE BRACKET ASSEMBLY	1	
2	210680	CLOTH GUIDE BRACKET	1	
3	210681	HINGE/EDGE GUIDE BRACKET	1	
4	5184	SCREW	1	
5	201191	SPRING	1	
6	3044	NUT	1	
7	210682	STOPPER	1	
8	5053	SCREW	1	
9	210683	PIN	1	
10	210684	FLAT SPRING	1	
11	2906	SCREW	1	
12	210686	BRACKET COMPLETE/EDGE GUIDE	1	
13	210687	BRACKET COMPLETE/EDGE GUIDE	1	
14	5088	SCREW	2	
15	167066	WASHER	2	
16	1202	SCREW	1	
17	167066	WASHER	1	
18	201233A	EDGE GUIDE	1	
19	204667	EDGE GUIDE	1	
20	210691	CLOTH GUIDE COMPLETE	1	
*21	210690	BRACKET	1	
22	5088	SCREW	2	
23	167066	WASHER	2	
*24	205361	CLOTH GUIDE	1	
25	5057	SCREW	1	
26	210689	ADJUSTING PLATE	1	
27	5157	SCREW	2	
28	2430	SCREW	1	
29	2905	SCREW	1	
30	137142	WASHER	1	
31	210692	STOPPER	1	
32	1206	SCREW	1	
33	201211C91	FOLDER COMPLETE (40MM)	1	
34	205678A91	FOLDER COMPLETE (21MM)	1	
35	205679A91	FOLDER COMPLETE (27MM)	1	
36	205456A91	FOLDER COMPLETE (52MM)	1	
37	205835	AUXILIARY PLATE	1	
38	205834	AUXILIARY PLATE (FOR THIN)	1	
39	5299	SCREW	1	
40	303312A	REGULATOR	1	
41	303313	FLAT SPRING	1	
42	210585	WASHER	1	
43	212265	CLOTH GUIDE COMPLETE	1	
*44	212266	CLOTH GUIDE	1	
45	212267	STOPPER	1	
46	212268A91	FOLDER COMPLETE (36MM)	1	
47	205835A	AUXILIARY PLATE	1	
48	5299	SCREW	1	
49	1333	SCREW	1	

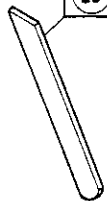
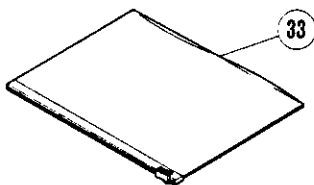


21 2015,2016

25 THICK

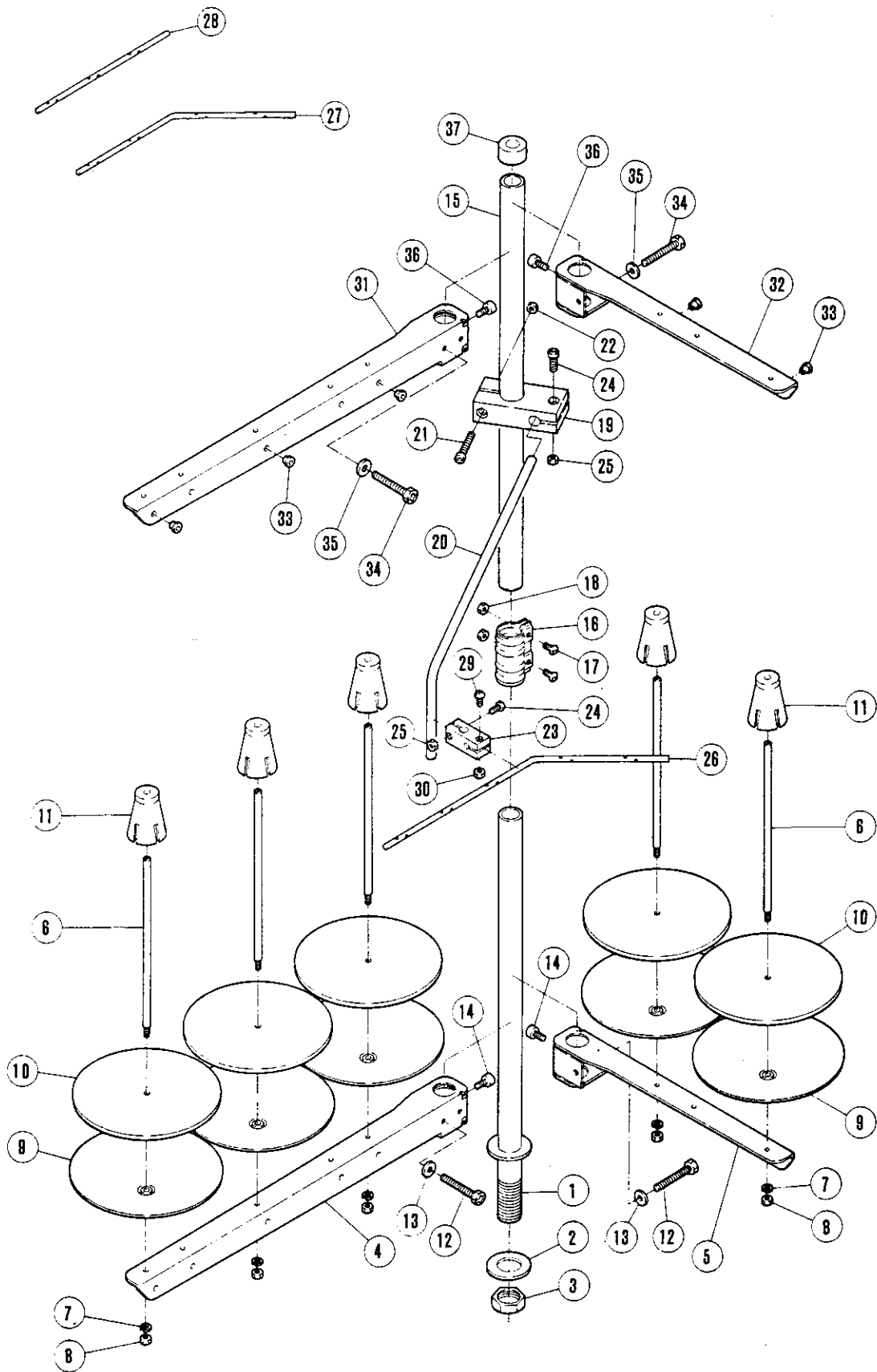
26 THIN

- 27 DC×27 # 11
- 28 DC×27 # 14
- 28 DC×27 # 16
- 30 DC×27 # 18
- 31 DC×27 # 9
- 32 DC×27 # 19



ACCESSORIES

REF. NO.	PART NO.	NAME	MEMO
1	908	DUST COVER	
2	453	OIL CONTAINER/1000CC	
3	137	OILER 150CC	
4	484	OIL FUNNEL	
5	472	WRENCH/5.5MM	
6	283	WRENCH/6MM	
7	284	WRENCH/7MM	
8	285	WRENCH/8MM	
9	473	WRENCH/10MM	
10	463	ALLEN KEY/1.5MM	
11	464	ALLEN KEY/2MM	
12	465	ALLEN KEY/2.5MM	
13	399	ALLEN KEY/3MM	
14	271	ALLEN KEY/4MM	
15	319	ALLEN KEY/5MM	
16	9105	SCREWDRIVER (SET)	
17	127	SCREWDRIVER (LARGE)	
18	128	SCREWDRIVER (MEDIUM)	
19	129	SCREWDRIVER (SMALL)	
20	474	ALLEN KEY DRIVER/1.5MM	
21	153	THREADING WIRE	
22	131	TWEEZERS	
23	392	CHAIN	
24	480	PEDAL	
25	202295	LOWER KNIFE/THICK	
26	201127	LOWER KNIFE/THIN	
27	629B	NEEDLE	
28	630B	NEEDLE	
29	631B	NEEDLE	
30	647B	NEEDLE	
31	642B	NEEDLE	
32	656B	NEEDLE	
33	482	ACCESSORY BAG	



THREAD STAND

REF. NO.	PART NO.	NAME	SPOOLS	QT.			MEMO
				3	4	5	
	486A9C	THREAD STAND ASS. (5-SPOOLS)			1		
	486B9C	THREAD STAND ASS. (4-SPOOLS)		1			
	486C9C	THREAD STAND ASS. (3-SPOOLS)	1				
1	503-CA	THREAD STAND ROD (LOWER)	1	1	1		
2	509	WASHER	1	1	1		
3	5476	NUT	1	1	1		
4	505-CA	BRACKET	1		1		
5	505ACA	BRACKET		2	1		
6	380A	SPOOL PIN	3	4	5		
7	201252	SPRING WASHER	3	4	5		
8	4803	NUT	3	4	5		
9	381-CA	SPOOL TRAY	3	4	5		
10	507	CUSHION	3	4	5		
11	382-CA	SPOOL RETAINING FIN	3	4	5		
12	7102	SCREW	1	2	2		
13	512	WASHER	1	2	2		
14	4022	SCREW	1	2	2		
15	502-CA	THREAD STAND ROD (UPPER)	1	1	1		
16	504-CA	JOINT	1	1	1		
17	4021	SCREW	2	2	2		
18	4805	NUT	2	2	2		
19	383-CA	BRACKET	1	1	1		
20	384	THREAD GUIDE BAR ROD	1	1	1		
21	4014	SCREW	1	1	1		
22	4803	NUT	1	1	1		
23	233-CA	HOLDER	1	1	1		
24	4012	SCREW	2	2	2		
25	4803	NUT	2	2	2		
26	293A	THREAD GUIDE BAR (5-SPOOLS)			1		
27	293B	THREAD GUIDE BAR (4-SPOOLS)		1			
28	293C	THREAD GUIDE BAR (3-SPOOLS)	1				
29	4012	SCREW	1	1	1		
30	4803	NUT	1	1	1		
31	505-CA	BRACKET	1		1		
32	505ACA	BRACKET		2	1		
33	506	THREAD EYELET	3	4	5		
34	7102	SCREW	1	2	2		
35	512	WASHER	1	2	2		
36	4022	SCREW	1	2	2		
37	386	ROD CAP	1	1	1		



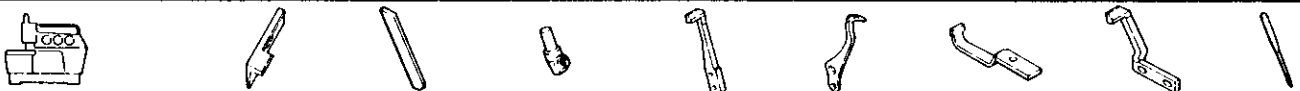
MACHINE TYPE /SPEC.	GAGE		NEEDLE PLATE	MAIN FEED DOG COMP.	DIFF. FEED DOG	PRESSER FOOT	FABRIC GUARD	UPPER LOOPER	UPPER SPREADER	LOWER LOOPER	401 LOOPER
	NG	SW									
2016 (2015)-411 /02-232-	2	3	210841	210893	210890	208500	208531	210367	210514	210356	210357A
	2	4	210842	"	"	"	"	" #28	" #25	"	"
	2	5	210843	"	"	"	"	"	"	"	"
	2	6	210844	"	"	"	"	"	"	"	"
	3	3	210845	"	"	208501	"	"	"	"	"
	3	4	210846	"	"	"	"	"	"	"	"
	3	5	210847	"	"	"	"	"	"	"	"
	3	6	210848	"	"	"	"	"	"	"	"
2016 (2015)-420 /02-213-	3	3	210837	210579	210492	208504	208531	210367	210514	210356	210357A
	3	4	210838	"	"	"	"	" #28	" #25	"	"
	3	5	210839	"	"	"	"	"	"	"	"
	3	6	210840	"	"	"	"	"	"	"	"



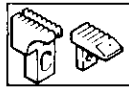
MACHINE TYPE /SPEC.	UPPER KNIFE	LOWER KNIFE	NEEDLE HOLDER	NEEDLE	GUARD	NEEDLE	GUARD	NEEDLE
				(FRONT)	(REAR)	(FRONT)	(REAR)	
2016 (2015)-411 /02-232-	210755	202295	179708-92	210275A	210724	210278	210279	DCX27 #11
	"	"	"	"	"	"	"	
	"	"	"	"	"	"	"	
	"	"	179628-92	"	"	"	"	
	"	"	"	"	"	"	"	
2016 (2015)-420 /02-213-	21755	202295	179628-92	210275A	210724	210278	210279	DCX27 #11
	"	"	"	"	"	"	"	
	"	"	"	"	"	"	"	



MACHINE TYPE /SPEC.	GAGE		NEEDLE PLATE	MAIN FEED DOG COMP.	DIFF. FEED DOG	PRESSER FOOT	FABRIC GUARD	UPPER LOOPER	UPPER SPREADER	LOWER LOOPER	401 LOOPER
	NG	SW									
2016 (2015)-430 /02-233-	2	3	210841	210581	210494	208500	208531	210364	210512	210356	210357A
	2	4	210842	"	"	"	"	" #22	" #21	"	"
	2	5	210843	"	"	"	"	"	"	"	"
	2	6	210844	"	"	"	"	"	"	"	"
	3	3	210845	"	"	208501	"	"	"	"	"
	3	4	210846	"	"	"	"	"	"	"	"
	3	5	210847	"	"	"	"	"	"	"	"
	3	6	210848	"	"	"	"	"	"	"	"
	5	3	210849	"	"	208502	"	"	"	"	"
	5	4	210850	"	"	"	"	"	"	"	"
	5	5	210851	"	"	"	"	"	"	"	"
	5	6	210852	"	"	"	"	"	"	"	"



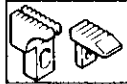
MACHINE TYPE /SPEC.	UPPER KNIFE	LOWER KNIFE	NEEDLE HOLDER	NEEDLE	GUARD	NEEDLE	GUARD	NEEDLE
				(FRONT)	(REAR)	(FRONT)	(REAR)	
2016 (2015)-430 /02-233-	210755	202295	179708-92	210275A	210724	210278	210279	DCX27 #14
	"	"	"	"	"	"	"	"
	"	"	179628-92	"	"	"	"	"
	"	"	"	"	"	"	"	"
	"	"	179629-92	"	"	"	"	"
	"	"	"	"	"	"	"	"
	"	"	"	"	"	"	"	"
	"	"	"	"	"	"	"	"



MACHINE TYPE /SPEC.	GAGE		NEEDLE PLATE	MAIN FEED DOG COMP.	DIFF. FEED DOG	PRESSER FOOT	FABRIC GUARD	UPPER LOOPER	UPPER SPREADER	LOWER LOOPER	401 LOOPER
	NG	SW									
2016 (2015)-440 /02-255-	2	3	210855	210582	210498	208500	208531	210364	210512	210356	210357A
	2	4	210856	"	"	"	"	" #22	" #21	"	"
	2	5	210857	"	"	"	"	"	"	"	"
	2	6	210858	"	"	"	"	"	"	"	"
	3	3	210859	"	"	208501	"	"	"	"	"
	3	4	210860	"	"	"	"	"	"	"	"
	3	5	210861	"	"	"	"	"	"	"	"
	3	6	210862	"	"	"	"	"	"	"	"
	5	3	210863	"	210501	208502	"	"	"	"	"
	5	4	210864	"	"	"	"	"	"	"	"
	5	5	210865	"	"	"	"	"	"	"	"
5	6	210866	"	"	"	"	"	"	"	"	
2016 (2015)-450 /12-335-	5	5	210853	210582	210495	208955	204683	210365	210513	210356	210357A
	5	6	210854	"	"	"	"	" #24	" #23	"	"
2016 (2015)-451 /12-355-	5	5	210867	210582	210495	208955	204683	210365	210513	210356	210357A
	5	6	210868	"	"	"	"	" #24	" #23	"	"



MACHINE TYPE /SPEC.	UPPER KNIFE	LOWER KNIFE	NEEDLE HOLDER	NEEDLE	GUARD	NEEDLE	GUARD	NEEDLE
				(FRONT)	(REAR)	(FRONT)	(REAR)	
2016 (2015)-440 /02-255-	210755	202295	179708-92	210275A	210724	210278	210279	DCX27 #16
	"	"	"	"	"	"	"	
	"	"	179628-92	"	"	"	"	
	"	"	"	"	"	"	"	
	"	"	179629-92	"	"	"	"	
	"	"	"	"	"	"	"	
	"	"	"	"	"	"	"	
2016 (2015)-450 /12-335-	210755	202295	179629-92	210275A	212783	210278	210279	DCX27 #19
2016 (2015)-451 /12-355-	210755	202295	179629-92	210275A	212783	210278	210279	DCX27 #19



MACHINE TYPE /SPEC.	GAGE		NEEDLE PLATE	MAIN FEED DOG COMP.	DIFF. FEED DOG	PRESSER FOOT	FABRIC GUARD	UPPER LOOPER	UPPER SPREADER	LOWER LOOPER	401 LOOPER
	NG	SW									
2016(2015)-542 /02-253-	2	3	210976	211002	210957	208507	208532	210367	210514	210356	210357A
	2	4	210977	"	"	"	"	" #28	" #25	"	"
	2	5	210978	"	"	"	"	"	"	"	"
	2	6	210979	"	"	"	"	"	"	"	"
	3	3	210980	"	"	208508	"	210364	210512	"	"
	3	4	210981	"	"	"	"	" #22	" #21	"	"
	3	5	210982	"	"	"	"	"	"	"	"
	3	6	210983	"	"	"	"	"	"	"	"
	5	3	210984	211003	"	208509	"	"	"	"	"
	5	4	210985	"	"	"	"	"	"	"	"
	5	5	210986	"	"	"	"	"	"	"	"
	5	6	210987	"	"	"	"	"	"	"	"



MACHINE TYPE /SPEC.	UPPER KNIFE	LOWER KNIFE	NEEDLE HOLDER	NEEDLE	GUARD	NEEDLE	GUARD	NEEDLE
				(FRONT)	(REAR)	(FRONT)	(REAR)	
2016(2015)-542 /02-253-	210755	202295	179708-92	210275A	210724	210278	210279	DCX27 #11
	"	"	"	"	"	"	"	"
	"	"	179628-92	"	"	"	"	DCX27 #14
	"	"	"	"	"	"	"	"
	"	"	179629-92	"	"	"	"	"
	"	"	"	"	"	"	"	"
	"	"	"	"	"	"	"	"
	"	"	"	"	"	"	"	"



MACHINE TYPE /SPEC.	GAUGE		NEEDLE PLATE	MAIN FEED DOG	DIFF. FEED DOG	PRESSER FOOT	FINGER	FABRIC GUARD	UNCURLER	UPPER KNIFE	LOWER KNIFE	UPPER LOOPER	LOWER LOOPER	NEEDLE		NEEDLE HOLDER	NEEDLE
	NO	SW												(FRONT)	(REAR)		
2004-130 /01-253-W	3		210799	210575	210445	205253	210370	201265B	210584	210755	201127	210364	210356	212781	210724	179630-92	DCX27
	4		210800	-	-	-	210371	-	-	-	202295	- #22	-	-	-	-	#14
	5		210801	-	-	-	-	-	-	-	-	-	-	-	-	-	-
	6		210802	-	-	-	210372	-	-	-	-	-	-	-	-	-	-
2004-130 /01-263-N	3		210795	210574	210445	201230C	210370	201265B	210584	210755	201127	210367	210356	212781	210724	179630-92	DCX27
	4		210796	-	-	-	210371	-	-	-	202295	- #28	-	-	-	-	#11
	5		210797	-	-	-	-	-	-	-	-	-	-	-	-	-	-
	6		210798	-	-	-	210372	-	-	-	-	-	-	-	-	-	-
2014-133 /12-363-N	2	2	210803	210574	210445	201230C	210373	201265B	210584	210755	202295	210364	212784	212781	212783	179634-92	DCX27
	2	3	210804	-	-	-	210503	-	-	-	-	- #24	-	-	-	-	#11
	2	4	210805	-	-	-	-	-	-	-	-	-	-	-	-	-	-
	2	5	210806	-	-	-	212954	-	-	-	-	-	-	-	-	-	-
2004-134 /01-233-W	3		210786	210697	210443	205253	210370	201265B	210584	210755	202295	210364	210356	212781	210724	179630-92	DCX27
	4		210787	-	-	-	210371	-	-	-	-	- #22	-	-	-	-	#14
	5		210788	-	-	-	-	-	-	-	-	-	-	-	-	-	-
	6		210789	-	-	-	210372	-	-	-	-	-	-	-	-	-	-
2003-134A /11-233-W		6	210789	210697	210443	205253	210371	201265B	210584	210755	202295	210512	210356	210252	210724	179630-92	DCX27
2004-134A /11-233-W		6	210789	210697	210443	205253	210371	201265B	210584	210755	202295	210364	210356	210252	210724	179630-92	DCX27
			#22														#14
2004-136 /01-253-W	3		211257	211263	210445	205252	210370	201265	210584	210755	201127	210367	210356	212781	210724	179630-92	DCX27
	4		211258	-	-	-	210371	-	-	-	202295	- #28	-	-	-	-	#11
	5		211259	-	-	-	-	-	-	-	-	-	-	-	-	-	-
	6		211260	-	-	-	210372	-	-	-	-	-	-	-	-	-	-
2004-183T /11-243-N	3		212990-30	211969	211974	211987B	179776-05	179779-91	210584	210755	202295	210364	210356A	212781	210724	179630-92	DCX27
	4		-40	-	-	-	-	-	-	-	-	- #22	-	-	-	-	#14
2004-186 /11-293-W	3		213514-30	213528-16F	211974-BF	211975	201155C	211557	-	210755	201127	210367	210356A	212781	210724	179004-91	DCX27
	4		-40	-	-	-	-	-	-	-	202295	- #28	-	-	-	-	#11
			-50														
2004-186A /11-263-W	4		213548-40	213528-16F	213547-16F	211975	201155C	211557	-	210755	202295	210367	210356A	212781	210356A	179004-91	DCX27
	5		-50	-	-	-	-	-	-	-	-	- #28	-	-	-	-	#11
2005-210 /01-223-N	2		210782	210569	210442	201152E	201155C	-	210584	210755	202295	210367	210356	212781	210724	179630-92	DCX27
	3		210783	-	-	-	-	-	-	-	-	- #28	-	-	-	-	#11
	4		210784	-	-	-	-	-	-	-	-	-	-	-	-	-	-
			210785														
2003-211 /01-223-N	2		210782	210569	210442	201152E	201155C	-	210584	210755	202295	210514	210356	212781	210724	179630-92	DCX27
	3		210783	-	-	-	-	-	-	-	-	- #25	-	-	-	-	#11
	4		210784	-	-	-	-	-	-	-	-	-	-	-	-	-	-
	5		210785	-	-	-	-	-	-	-	-	-	-	-	-	-	-
2005-212 /01-223-N	2		210782	210569	210442	211991	211993	211994	211584	210755	202295	210367	210356	212781	210724	179630-92	DCX1
	3		210783	-	-	-	-	-	-	-	-	- #28	-	-	-	-	#11
	4		210784	-	-	-	-	-	-	-	-	-	-	-	-	-	-
	5		210785	-	-	-	-	-	-	-	-	-	-	-	-	-	-



MACHINE TYPE /SPEC.	GUAGE NGT'S W	NEEDLE PLATE	MAIN FEED DOG	DIFF. FEED DOG	PRESSER FOOT	FINGER	FABRIC GUARD	UNCURLER	UPPER KNIFE	LOWER KNIFE	UPPER LOOPER	LOWER LOOPER	NEEDLE (FRONT)	GUARD (REAR)	NEEDLE HOLDER	NEEDLE
2003-220 /01-233-W	3 4 5 6	210786 210787 210788 210789	210568	210443	202799	210370 210371 210372	2012658	210584	210755	202295	210512 #21	210356	212781	210724	179630-92	DCX27 #14
2004-221 /01-365-W	3 4 5 6	210795A 210796A 210797A 210798A	210576	210446	201230C	210370 210371 210372	2012658	210584	210755	201127 202295	210364 #22	212784	212781	212783	179630-92	DCX27 #18
2003-226 /21-243-W	5	301974A50	301723	210443	301724	210371	301725	210584	210755	202295	210512 #21	210356	212781	210724	179630-92	DCX27 #16
2004-226 /21-243-W	5	301974A50	301723	210443	301724	210371	301725	210584	210755	202295	210364 #22	210356	212781	210724	179630-92	DCX27 #16
2004-231 /01-223-W	1.5	210934	211290	210442	201230C	205525	2012658	210584	210755	202295	210367 #28	210356	212781	210724	179630-92	DCX27 #11
2004-232 /01-200-W	1.5	211282	211286	211289	202786	205525	-----	210584	210755	201127	210367 #28	210356	212781	210724	179630-92	DCX27 #11
2004-233 /01-202-W	1.5	211282	211283	211285	202786	205525	-----	210584	210755	201127	210367 #28	210356	212781	210724	179630-92	DCX27 #11
2004-235 /01-202-W	1.5	212777	212751-13	211285	212749	212750	-----	210584	210755	201127	210367 #28	210356	212781	210724	179630-92	DCX27 #11
2004-236 /01-200-W	1.5	212777	212776	211289	212749	212750	-----	210584	210755	201127	210367 #28	210356	212781	210724	179630-92	DCX27 #11

75

INDEX

Table with columns: PART NO., PFAFF-NO, PAGE, NO. REF., PART NO., PFAFF-NO, PAGE, NO. REF., PART NO., PFAFF-NO, PAGE, NO. REF. It contains a comprehensive list of document references across multiple columns.

INDEX

PART NO.	PFAFF-NO	PAGE	NO. I REF.	PART NO.	PFAFF-NO	PAGE	NO. I REF.	PART NO.	PFAFF-NO	PAGE	NO. I REF.
210073	91-179 394-15	37	9	210512	09-009 617-06	75		210845	09-009 620-08	71	
210073	91-179 394-15	39	42	210513	09-009 617-07	72		210846	09-009 620-09	70	
210129	09-009 614-06	47	5	210514	09-009 620-35	70		210846	09-009 620-09	71	
210130	09-009 614-07	47	6	210514	09-009 620-35	73		210847	09-009 620-10	70	
210179	09-009 614-49	53	16	210514	09-009 620-35	74		210847	09-009 620-10	71	
210180	09-009 614-50	53	17	210529	09-009 617-17	13	2	210848	09-009 620-11	70	
210184	09-009 614-52	53	22	210530	09-009 617-18	13	18	210848	09-009 620-11	71	
210194	09-009 614-61	3	30	210531	09-009 617-19	13	10	210849	09-009 620-12	71	
210215	09-009 614-77	53	32	210568	09-009 617-26	75		210850	09-009 620-13	71	
210252	09-009 615-08	74		210569	09-009 617-27	74		210851	09-009 620-14	71	
210275A	09-009 615-29	33	15	210574	09-009 816-03	74		210852	09-009 620-15	71	
210275A	09-009 615-29	70		210575	09-009 617-33	74		210853	09-009 620-28	72	
210275A	09-009 615-29	71		210576	09-009 617-34	75		210854	09-009 620-29	72	
210275A	09-009 615-29	72		210579	09-009 606-73	70		210855	09-009 620-16	72	
210275A	09-009 615-29	73		210581	09-009 606-75	71		210856	09-009 620-17	72	
210277	09-009 615-31	33		210582	09-009 606-76	72		210857	09-009 620-18	72	
210278	09-009 615-32	33	11	210584	09-009 617-42	57	45	210858	09-009 620-19	72	
210278	09-009 615-32	70		210584	09-009 617-42	74		210859	09-009 620-20	72	
210278	09-009 615-32	71		210584	09-009 617-42	75		210860	09-009 620-21	72	
210278	09-009 615-32	72		210585	09-009 617-43	57	48	210861	09-009 620-22	72	
210278	09-009 615-32	73		210585	09-009 617-43	65	42	210862	09-009 620-23	72	
210279	09-009 615-33	33	13	210679	09-009 617-74	9	17	210863	09-009 620-24	72	
210279	09-009 615-33	70		210679	09-009 617-74	11	5	210864	09-009 620-25	72	
210279	09-009 615-33	71		210680	09-009 617-75	65	2	210865	09-009 620-26	72	
210279	09-009 615-33	72		210681	09-009 617-76	65	3	210866	09-009 620-27	72	
210279	09-009 615-33	73		210682	09-009 617-77	65	7	210867	09-009 801-14	72	
210295	09-009 615-46	43	5	210683	09-009 617-78	65	9	210868	09-009 801-15	72	
210302	09-009 615-53	45	17	210684	09-009 617-79	65	10	210890	09-009 620-85	70	
210303	09-009 615-54	45	19	210685	09-009 617-80	65	1	210893	09-009 620-87	70	
210304	09-009 615-55	45	13	210686	09-009 617-81	65	12	210930	09-009 618-32	33	19
210306	09-009 615-56	45	23	210687	09-009 617-82	65	13	210930	09-009 618-32	37	18
210307	09-009 615-57	45	15	210689	09-009 617-83	65	26	210930	09-009 618-32	39	50
210308	09-009 615-58	45	21	210690		65	21	210934	09-009 620-90	75	
210316	09-009 615-66	53	15	210691	09-009 617-85	65	20	210957	09-009 620-91	73	
210319	09-009 615-68	13	7	210692	09-009 617-86	65	31	210976	09-009 621-05	73	
210319	09-009 615-68	13	15	210697	09-009 617-90	74		210977	09-009 621-06	73	
210319	09-009 615-68	13	23	210724	09-009 618-30	70		210978	09-009 621-07	73	
210343	09-009 615-87	51	28	210724	09-009 618-30	71		210979	09-009 621-08	73	
210351	09-009 615-95	15	39	210724	09-009 618-30	72		210980	09-009 621-09	73	
210351	09-009 615-95	19	17	210724	09-009 618-30	73		210981	09-009 621-10	73	
210351	09-009 615-95	21	41	210724	09-009 618-30	74		210982	09-009 621-11	73	
210353	09-009 615-97	15	19	210724	09-009 618-30	75		210983	09-009 621-12	73	
210353	09-009 615-97	17	21	210755	91-179 421-01	53	8	210984	09-009 621-13	73	
210353	09-009 615-97	21	19	210755	91-179 421-01	70		210985	09-009 621-14	73	
210356	09-009 615-99	70		210755	91-179 421-01	71		210986	09-009 621-15	73	
210356	09-009 615-99	71		210755	91-179 421-01	72		210987	09-009 621-16	73	
210356	09-009 615-99	72		210755	91-179 421-01	73		211002	09-009 621-21	73	
210356	09-009 615-99	73		210755	91-179 421-01	74		211003	09-009 621-22	73	
210356	09-009 615-99	74		210755	91-179 421-01	75		211257	09-009 732-36	74	
210356	09-009 615-99	75		210782	09-009 620-40	74		211258	09-009 732-01	74	
210356A	09-009 812-18	74		210783	09-009 620-41	74		211259	09-009 732-03	74	
210357	09-009 807-47	43	38	210784	09-009 620-42	74		211260	09-009 732-18	74	
210357A	09-009 616-00	43	37	210785	09-009 620-43	74		211263	09-009 732-04	74	
210357A	09-009 616-00	70		210786	09-009 620-44	74		211282	09-009 621-51	75	
210357A	09-009 616-00	71		210786	09-009 620-44	75		211283	09-009 621-52	75	
210357A	09-009 616-00	72		210787	09-009 620-45	74		211285	09-009 621-53	75	
210357A	09-009 616-00	73		210787	09-009 620-45	75		211286	09-009 621-54	75	
210364	09-009 616-03	71		210788	09-009 620-46	74		211289	09-009 621-55	75	
210364	09-009 616-03	72		210788	09-009 620-46	75		211290	09-009 621-56	75	
210364	09-009 616-03	73		210789	09-009 620-47	74		211301	12-305 174-15	47	53
210364	09-009 616-03	74		210789	09-009 620-47	75		211301	12-305 174-15	49	40
210364	09-009 616-03	75		210795	09-009 620-53	74		211313	09-009 821-00	9	14
210365	09-009 616-04	72		210795A	09-009 820-95	75		211387	09-009 733-00	45	8
210367	09-009 620-34	70		210796	09-009 620-54	74		211388	91-179 419-05	45	11
210367	09-009 620-34	73		210796A	09-009 820-96	75		211392	09-009 733-04	33	3
210367	09-009 620-34	74		210797	09-009 620-55	74		211392	09-009 733-04	37	3
210367	09-009 620-34	75		210797A	09-009 820-97	75		211392	09-009 733-04	39	40
210370	09-009 616-06	74		210798	09-009 621-58	74		211393	09-009 821-01	33	4
210370	09-009 616-06	75		210798A	09-009 820-98	75		211393	09-009 821-01	37	4
210371	09-009 616-07	74		210799	09-009 620-56	74		211393	09-009 821-01	37	8
210371	09-009 616-07	75		210800	09-009 620-57	74		211393	09-009 821-01	39	41
210372	09-009 616-08	74		210801	09-009 620-58	74		211557	09-009 732-30	74	
210372	09-009 616-08	75		210802	09-009 620-59	74		211600	09-009 732-35	57	46
210373	09-009 616-09	74		210803	09-009 620-60	74		211600	09-009 732-35	74	
210442	09-009 616-56	74		210804	09-009 620-61	74		211969-BF	09-009 803-39	74	
210442	09-009 616-56	75		210805	09-009 621-59	74		211974-BF	09-009 801-72	74	
210443	09-009 616-57	74		210806	09-009 620-62	74		211975	09-009 803-46	74	
210443	09-009 616-57	75		210837	09-009 620-00	70		211991	09-009 732-32	74	
210445	09-009 819-86	74		210838	09-009 620-01	70		211993	09-009 732-33	74	
210446	09-009 616-59	75		210839	09-009 620-02	70		211994	09-009 732-34	74	
210492	09-009 616-97	70		210840	09-009 620-03	70		212265	09-009 803-81	65	43
210494	09-009 616-98	71		210841	09-009 620-04	70		212266	09-009 803-82	65	44
210495	09-009 616-99	72		210841	09-009 620-04	71		212267	09-009 803-83	65	45
210498	09-009 617-00	72		210842	09-009 620-05	70		212268A91	09-009 823-19	65	46
210501	09-009 617-01	72		210842	09-009 620-05	71		212277	09-009 823-20	37	7
210503	09-009 617-03	74		210843	09-009 620-06	70		212281	91-179 362-95	9	16
210512	09-009 617-06	71		210843	09-009 620-06	71		212287	09-009 734-37	11	20
210512	09-009 617-06	72		210844	09-009 620-07	70		212749	09-009 807-60	75	
210512	09-009 617-06	73		210844	09-009 620-07	71		212750	09-009 807-61	75	
210512	09-009 617-06	74		210845	09-009 620-08	70		212751-13	91-009 812-22	75	

INDEX

PART NO.	PFAFF-NO	PAGE	NO. REF.	PART NO.	PFAFF-NO	PAGE	NO. REF.	PART NO.	PFAFF-NO	PAGE	NO. REF.
212776	09-009 807-62	75		240102	09-400 167-00	51	4				
212777	09-009 806-76	75		240102	09-400 167-00	55	40				
212781	09-009 613-61	74		240109	09-009 823-25	59	40				
212781	09-009 613-61	75		240128	09-009 821-09	59	5				
212783	09-009 812-10	72		240188	09-009 823-26	49	13				
212783	09-009 812-10	74		240188-92	09-009 823-27	49	12				
212783	09-009 812-10	75		240196	09-009 823-28	23	23				
212784	09-009 810-28	74		255002	09-400 334-00	3	21				
212784	09-009 810-28	75		301723	09-009 801-85	75					
212954	09-009 823-21	74		301724	09-009 803-07	75					
212990-30	09-009 823-22	74		301725	09-009 802-02	75					
213514-30	09-009 823-23	74		301974A50	09-009 823-29	75					
213528-16F	09-009 823-24	74		303067	12-501 170-45	63	30				
213547-16F	09-009 823-37	74		303312A	09-009 617-99	65	40				
213548-40	09-009 823-38	74		303313	09-009 618-00	65	41				
230047		11	4	303448	12-305 114-15	15	13				
231506	91-011 214-12	31	2	303448	12-305 114-15	15	17				
231506	91-011 214-12	35	2	303448	12-305 114-15	15	37				
231506	91-011 214-12	39	2	303448	12-305 114-15	15	40				
240000	12-371 004-05	23	13	303448	12-305 114-15	17	15				
240001	12-516 311-05	3	20	303448	12-305 114-15	17	19				
240004	09-009 821-03	51	18	303448	12-305 114-15	19	15				
240004-92	09-009 821-04	51	17	303448	12-305 114-15	19	18				
240007	13-064 963-05	3	7	303448	12-305 114-15	21	13				
240008	13-545 007-05	59	22	303448	12-305 114-15	21	17				
240009	13-545 019-05	23	8	303448	12-305 114-15	21	39				
240010	14-011 120-01	23	10	303448	12-305 114-15	21	42				
240011-2	14-215 028-01	43	16	303448	12-305 114-15	53	19				
240011-2	14-215 028-01	47	12	303448	12-305 114-15	57	10				
240011-2	14-215 028-01	49	4	303448	12-305 114-15	57	32				
240012-2	14-215 235-01	47	15	303448	12-305 114-15	63	20				
240012-2	14-215 235-01	49	10	303536	12-305 314-15	63	7				
240015	15-120 266-05	59	12	303537	12-500 250-45	63	9				
240016	15-120 331-05	59	10	306142	09-009 821-10	55	43				
240017	15-120 718-05	59	3	306920	09-400 437-00	5	21				
240018	15-120 762-05	31	24								
240018	15-120 762-05	35	29								
240018	15-120 762-05	39	24								
240019	15-120 906-05	23	4								
240020	15-120 909-05	55	42								
240021	15-120 910-05	23	16								
240022	15-280 034-01	41	4								
240023	91-179 368-05	59	41								
240025	91-024 536-05	47	27								
240028	09-009 823-30	57	5								
240028	09-009 823-30	57	27								
240028-92	91-179 016-15	57	4								
240028-92	91-179 016-15	57	26								
240029	91-179 027-05	41	2								
240029	91-179 027-05	41	31								
240031	91-179 049-05	9	7								
240032	91-179 055-15	55	39								
240033	91-179 076-15	23	9								
240034	09-009 821-05	43	32								
240035		53	2								
240035-92	09-009 821-06	53	1								
240038	91-179 151-05	31	16								
240038	91-179 151-05	35	16								
240038	91-179 151-05	39	16								
240038	91-179 151-05	41	28								
240039	91-179 161-05	51	25								
240039	91-179 161-05	51	37								
240042	91-179 200-15	47	49								
240042	91-179 200-15	49	35								
240043	91-179 221-15	5	22								
240044	91-179 222-15	5	24								
240045	91-179 306-05	3	19								
240045	91-179 306-05	3	34								
240046	91-179 307-05	3	13								
240047	09-009 821-07	43	12								
240047-92	91-179 397-05	43	11								
240049	91-179 400-05	43	17								
240050	91-179 424-05	41	1								
240050	91-179 424-05	41	32								
240051	91-179 429-01	59	11								
240052	91-179 447-05	9	9								
240055	91-179 482-05	47	13								
240055	91-179 482-05	49	5								
240056	09-009 821-08	3	29								
240059	91-179 505-15	47	58								
240059	91-179 505-15	49	45								
240060	91-179 506-01	59	32								
240062	91-179 509-05	43	18								
240062	91-179 509-05	51	12								
240063	91-179 511-01	47	39								
240063	91-179 511-01	49	26								
240066	91-179 533-01	41	34								
240074	91-038 583-15	63	10								
240075	91-179 199-05	63	6								
240102	09-400 167-00	43	3								